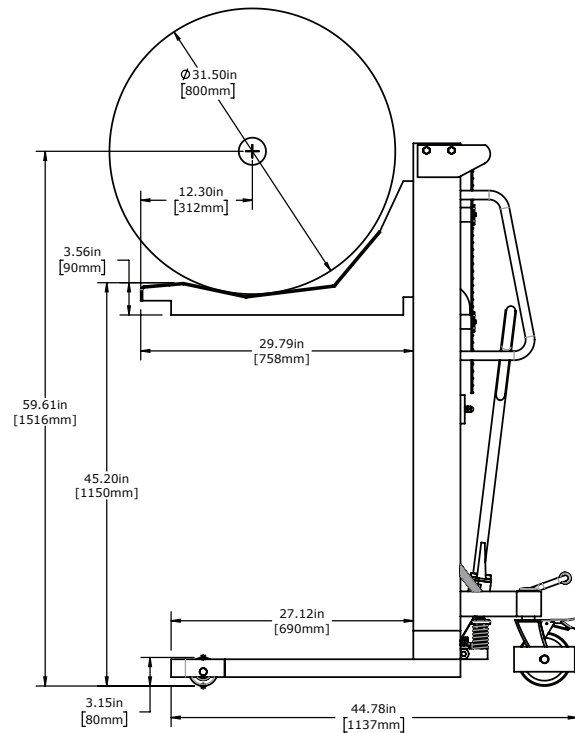
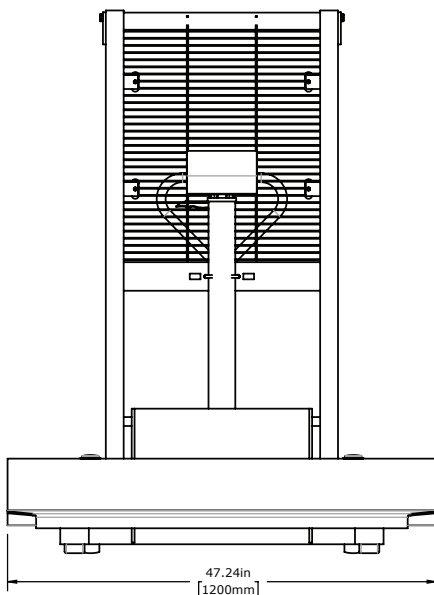
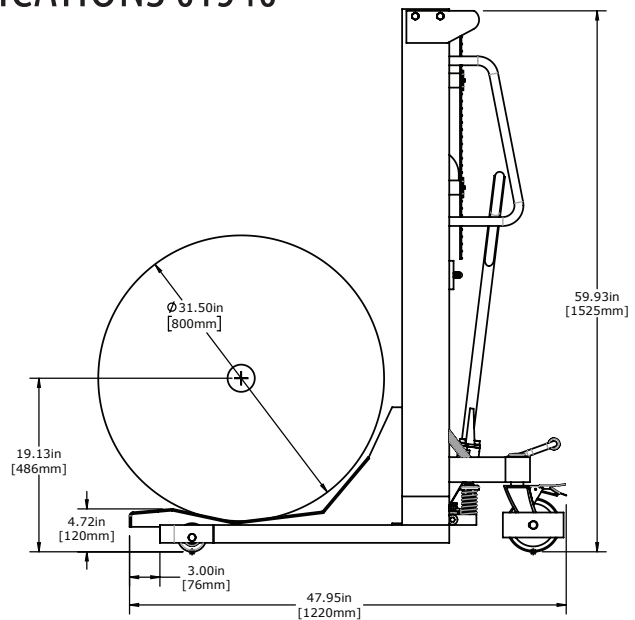
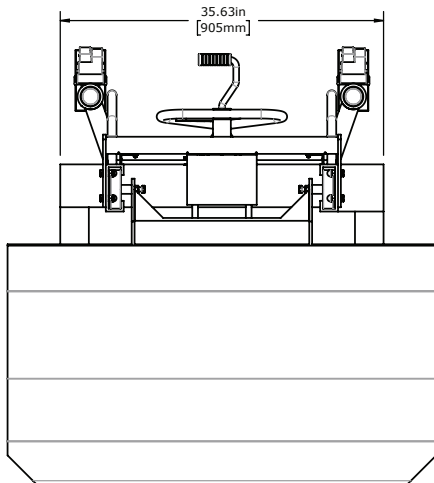




# ON-A-ROLL LIFTER® LOW PROFILE GRANDE MAX SPECIFICATIONS 61546



**2-YEAR WARRANTY on hydraulics and media tray.  
5-YEAR WARRANTY on cross bars.**

800.523.4855 or 267.413.6220 • Fax 267.413.6227

204B Progress Drive, Montgomeryville, PA 18936 USA • [information@go-foster.com](mailto:information@go-foster.com) • [www.go-foster.com](http://www.go-foster.com)