



## ON-A-ROLL LIFTER® V-TRAY NARROW WEB

The 61566 On-a-Roll Lifter® V-Tray Narrow Web for label printers and converters is a manually operated hydraulic lifter that provides a quick and safe solution for positioning and loading narrow web rolls. It increases safety and reduces the risk of handling damage to valuable roll media with minimal operator training.

Use On-a-Roll Lifter® V-Tray Narrow Web with these brands of flexo and digital narrow web presses and others:

*Bobst • Edale • Gallus • Mark Andy  
• MPS • Nilpeter • Omet • RotaFlex*

User-friendly operation avoids costly and dangerous roll handling mistakes that damage media. One operator can easily lift rolls as heavy as 660 lbs (300 kg) and diameters as great as 30" (76 cm).



Increase Press  
Up-Time *with*  
Quicker Roll  
Change-Over

Roll tray extends 6" in front of the bottom casters for quick and easy access to roll core chucks.



*See drawings and dimensions on page 2 to determine if the 61566 is right for you.*

800.523.4855 or 267.413.6220

PO Box 389, Lafayette Hill, PA 19444 • [customerservice@go-foster.com](mailto:customerservice@go-foster.com) • [www.go-foster.com](http://www.go-foster.com)



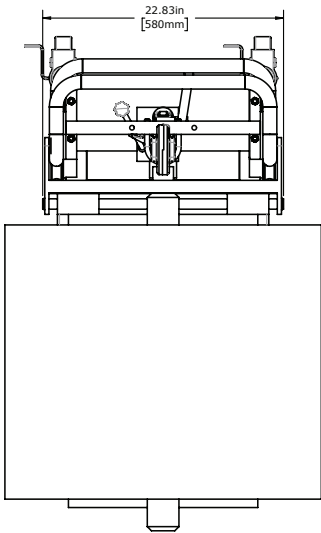
# ON-A-ROLL LIFTER® V-TRAY NARROW WEB SPECIFICATIONS 61566

## FEATURES, ADVANTAGES & BENEFITS

- Cantilevered roll tray extends 6" over front casters so it won't interfere with any obstructions on the press or floor
- V-Tray cradle design secures rolls with varying diameters
- 3" low profile front casters and frame fits underneath your press or converting line
- Manually operated hydraulic foot pump raises rolls to the optimal height with minimal effort
- Two heavy-duty rear swivel casters for maneuvering through tight spaces
- Reduced on-the-job injuries and enables workers to easily handle heavy rolls
- Rugged construction ensures lasting performance
- Single-person operation saves labor and time

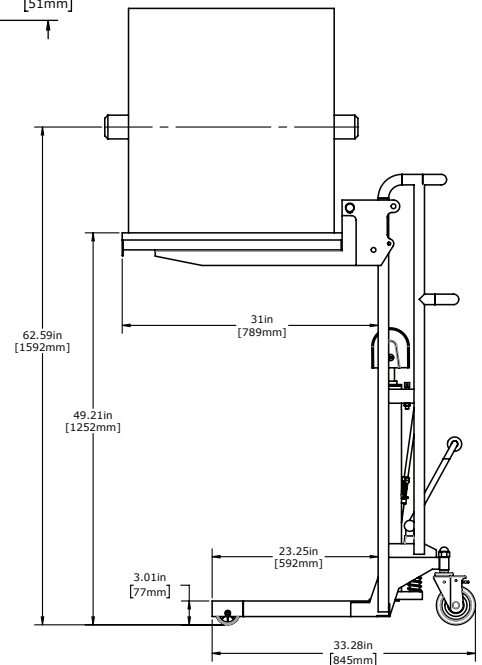
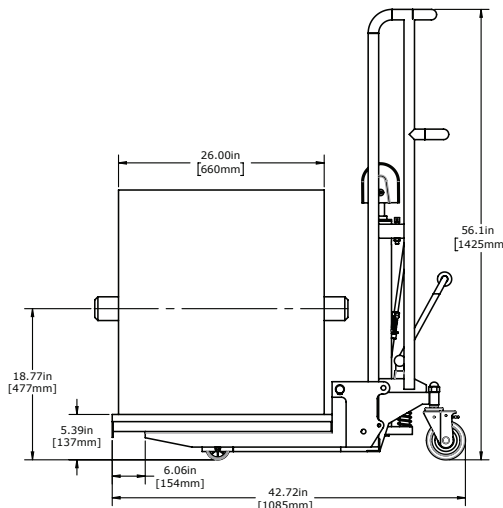
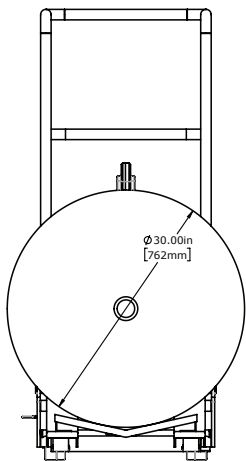
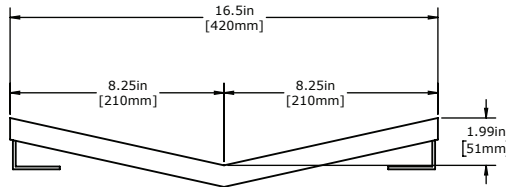
### MODEL 61566

Roll Weight Capacity .....	300 kg (660 lbs)
Lift Height .....	120 cm (47")
Max. Roll Width .....	66 cm (26")
Max. Roll Diameter .....	76 cm (30")
Width x Depth x Height .....	58 x 108.5 x 142.5 cm
.....	(22.83" x 42.72" x 56.1")
Roll Tray Width .....	40.6 cm
Roll Tray Length .....	44 cm
Weight .....	93 kg (205 lbs)
Bottom Fork Clearance .....	7.7 cm (3.01")



**2-YEAR WARRANTY on hydraulics and media tray**  
**5-YEAR WARRANTY on cross bars**

The Foster ON-A-ROLL LIFTER® V-TRAY NARROW WEB is ideal for positioning and loading narrow web rolls!



800.523.4855 or 267.413.6220

PO Box 389, Lafayette Hill, PA 19444 • customerservice@go-foster.com • www.go-foster.com