



ON-A-ROLL LIFTER® UNIVERSAL



FOSTER ON-A-ROLL LIFTER® UNIVERSAL

The flat roll loading tray of the Foster Universal lifter fits printers including AGFA Anapurna, Mira, Tauro and Titan models, as well as many roll-to-roll flatbed cutters. The tray easily fits into the side of the roll loading area, and multiple roll wedge mounting holes enable the operator to position the roll precisely for loading and unloading. The roll loading ramp may be removed to prevent interference with dancer bars and other printer frame elements, and can be stored on the back of the upright frame when not in use. Using the safety straps, one operator can easily lift rolls as heavy as 660 lbs (300 kg) and as wide as 16 feet 5 inches (5 m).



The Foster Universal lifter enables a single employee to safely and efficiently maneuver media rolls through standard doorways and into tight spaces behind printers. The easily reconfigured roll tray can accommodate printers made by different manufacturers.

See drawings and dimensions on page 2 to determine if the 61580 is right for you.

800.523.4855 or 267.413.6220

PO Box 389, Lafayette Hill, PA 19444 • customerservice@go-foster.com • www.go-foster.com



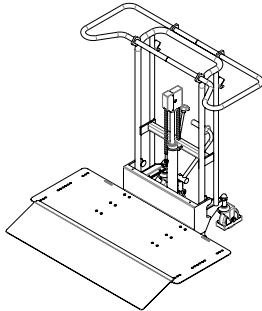
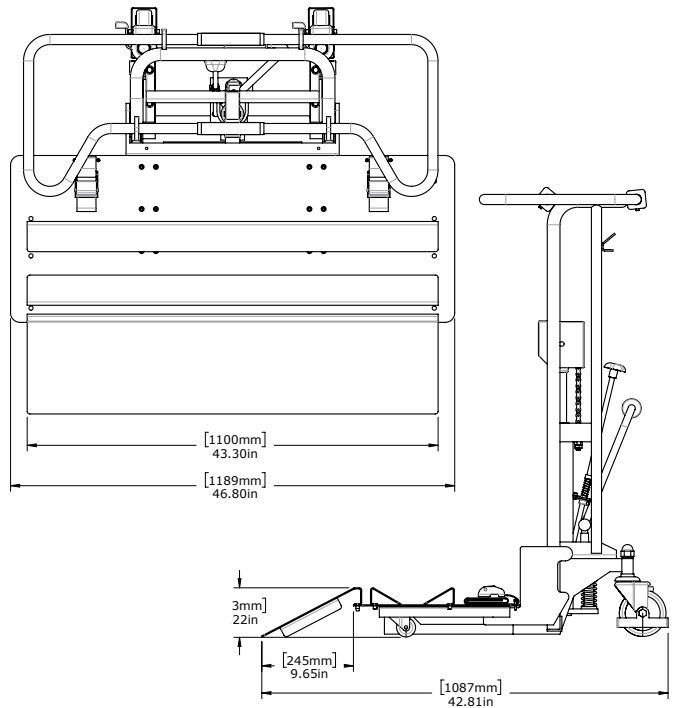
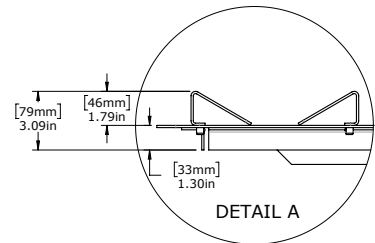
ON-A-ROLL LIFTER® UNIVERSAL SPECIFICATIONS 61580

IMPORTANT FEATURES

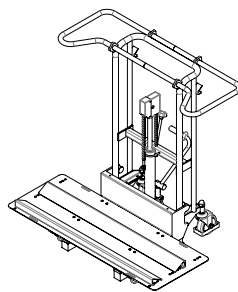
- Thin flat roll tray fits inside the opening of most printers.
- Adjustable roll wedges and a removable roll ramp permit use with most printers and flatbed roll-to-roll cutters.
- Heavy rolls are handled easily, reducing the chance of on-the-job injuries.
- Rugged construction ensures lasting performance.
- One-person operation saves labor and time.

SPECIFICATIONS 61580

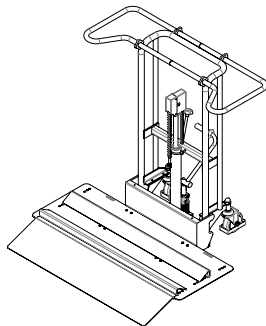
Roll Weight Capacity.....	300 kg (660 lbs)
Max Lift Height.....	85 cm (33.5")
Max. Roll Width.....	5 m (16'5")
Max. Roll Diameter.....	40 cm (15.75")
Width x Depth.....	120 cm x 110 cm (47.25" x 43.3")
Height.....	120 cm (47.25")
Weight.....	120 kg (265 lbs)
Bottom Fork Clearance.....	8.9 cm (3.5")
Front Swivel Castors.....	2" x 1.46"W
Rear Swivel Castors.....	5" x 1.46"W



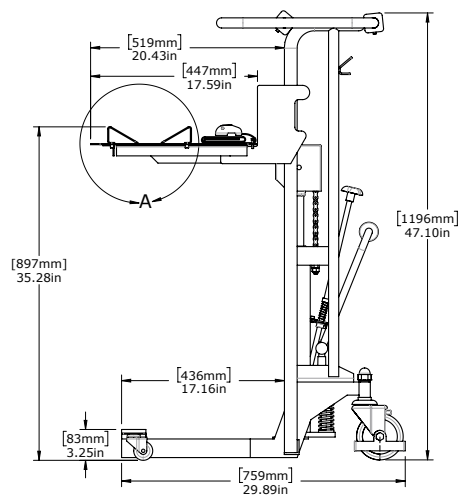
Removable roll ramp permits easily loading rolls.



Roll wedges are easily repositioned to fit the roll and printer.



Ramp and roll wedges together.



2-YEAR WARRANTY on hydraulics and media tray
5-YEAR WARRANTY on cross bars