

63161  
Roller  
Platform



## ON-A-ROLL LIFTER® Standard *and* Standard Plus

Designed specifically for sign makers and other businesses with the need to handle wide or heavy media rolls. It enables users to quickly and effortlessly lift media as heavy as 660 lbs (300 kg) and as wide as 16 feet 5 inches (500 cm), with diameters as great as 15.75 inches (40 cm). The ergonomic pull bar allows users to maneuver around tight corners and through narrow passages.



### IMPORTANT FEATURES

- Easy-to-use operation reduces on-the-job injuries
- User-friendly operation avoids costly and dangerous handling mistakes that damage media
- Single-person operation saves labor and time
- Designed to operate even in shops with limited floor space
- Rugged construction ensures lasting performance
- Ergonomic pull bar

*See drawings and dimensions on page 2 to determine if the 61584 & 61586 is right for you.*

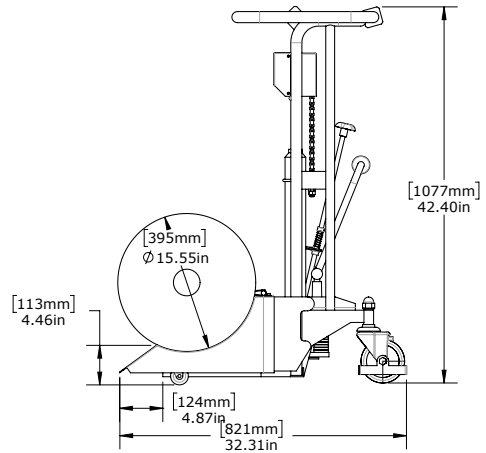
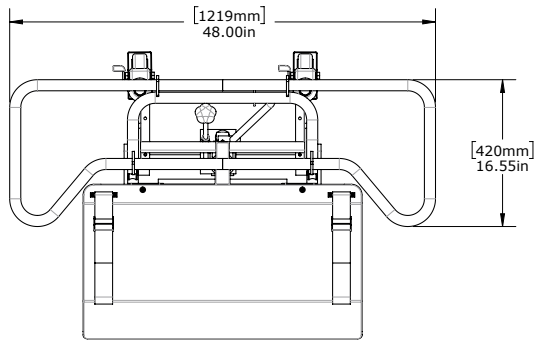
| SPECIFICATIONS        | STANDARD                         | STANDARD PLUS                      |
|-----------------------|----------------------------------|------------------------------------|
|                       | 61584                            | 61586                              |
| Roll Weight Capacity  | 300 kg (660 lbs)                 | 300 kg (660 lbs)                   |
| Max. Lift Height      | 85 cm (33.5")                    | 85 cm (33.5")                      |
| Max. Roll Width       | 250 cm (8'2")                    | 500 cm (16'5")                     |
| Max. Roll Diameter    | 40 cm (15.75")                   | 40 cm (15.75")                     |
| Width x Depth         | 80 cm x 80 cm<br>(31.5" x 31.5") | 120 cm x 80 cm<br>(47.25" x 31.5") |
| Height                | 119.4 cm (47")                   | 119.4 cm (47")                     |
| Weight                | 80 kg (177 lbs)                  | 85 kg (188 lb)                     |
| Bottom Fork Clearance | 10 cm (4")                       | 10 cm (4")                         |
| Front Swivel Castors  | 2.36" x 1.57"W                   | 2.36" x 1.57"W                     |
| Rear Swivel Castors   | 5" x 1.46"W                      | 5" x 1.46"W                        |



# ON-A-ROLL LIFTER® Standard and Standard Plus SPECIFICATIONS 61584 & 61586

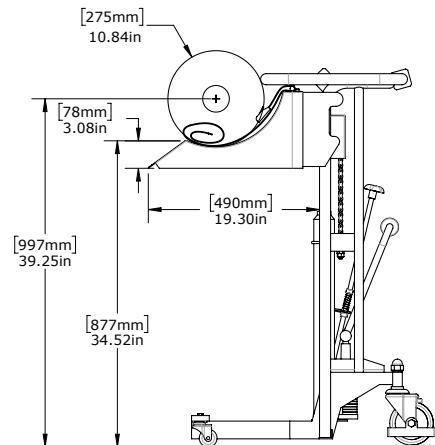
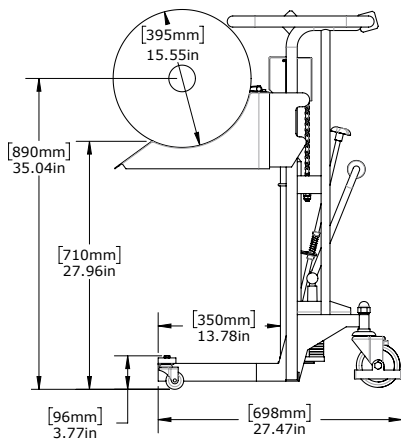
UNIVERSAL FOR 61584 & 61586

Dimensions shown below are for the Universal 61584



## TRAY WIDTH

|       |          |         |
|-------|----------|---------|
| 61584 | [799mm]  | 31.44in |
| 61586 | [1200mm] | 47.24in |



## TRAY OPTIONS



**Roll Ramp Tray** included for easy loading from the floor and handling wide rolls.



**Optional 63161 Roller Platform** is designed to allow operators to feed rolls into their machines directly from the lifter.

**2-YEAR WARRANTY** on hydraulics and media tray  
**5-YEAR WARRANTY** on cross bars

800.523.4855 or 267.413.6220

PO Box 389, Lafayette Hill, PA 19444 • customerservice@go-foster.com • www.go-foster.com