

## ON-A-ROLL LIFTER® LOW PROFILE

Designed specifically for sign makers and others businesses with the need to handle wide or heavy media rolls, particularly those with lower profile grand- and wide-format printers. It enables users to quickly and effortlessly lift media as heavy as 660 lbs (300 kg) and as wide as 16 feet 5 inches (500 cm), with diameters as great as 15.75 inches (40 cm). With a 3.25 inch (8.25 cm) clearance of the bottom fork, it's a perfect complement to HP Latex 1500 and HP 3000 Series printers.



### OPTIONAL ROLLER TRAY



63161  
Roller Platform

### IMPORTANT FEATURES

- Easy-to-use operation reduces on-the-job injuries
- User-friendly operation avoids costly and dangerous handling mistakes that damage media
- Single-person operation saves labor and time
- Designed to operate even in shops with limited floor space
- Rugged construction ensures lasting performance
- Newly updated ergonomic pull bar and stronger media tray

### SPECIFICATIONS 61574

|                            |                                  |
|----------------------------|----------------------------------|
| Roll Weight Capacity.....  | 300 kg (660 lbs)                 |
| Max. Lift Height.....      | 84 cm (33")                      |
| Max. Roll Width.....       | 500 cm (16'5")                   |
| Max. Roll Diameter.....    | 40 cm (15.75")                   |
| Width x Depth.....         | 111.6 cm x 85.5 cm (44" x 33.6") |
| Height.....                | 119.4 cm (47")                   |
| Weight.....                | 85 kg (188 lb)                   |
| Bottom Fork Clearance..... | 8.25 cm (3.25")                  |
| Front Swivel Castors.....  | 2" x 1.46"W                      |
| Rear Swivel Castors.....   | 5" x 1.46"W                      |

*See drawings and dimensions on page 2 to determine if the 61574 is right for you.*

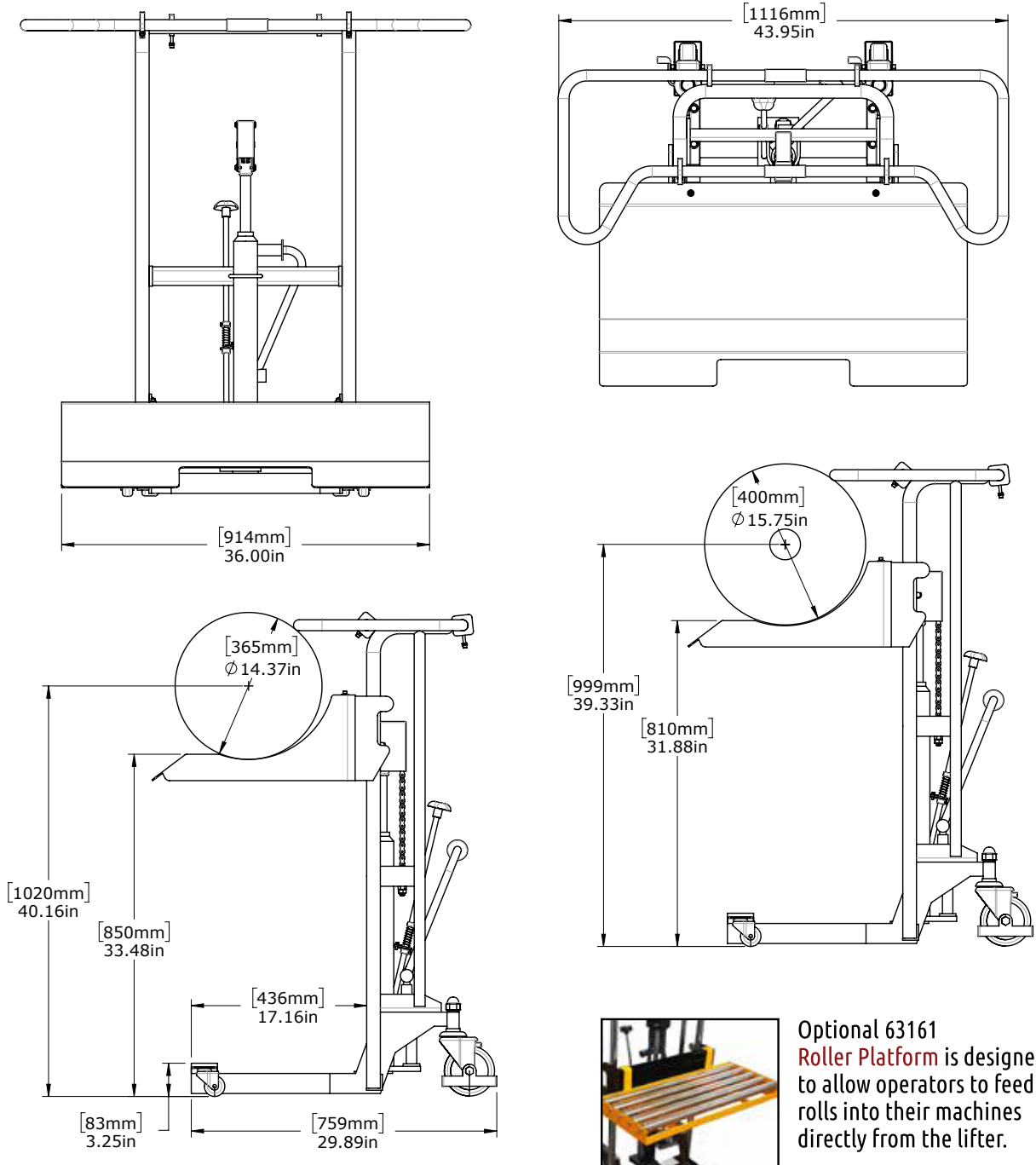
800.523.4855 or 267.413.6220

PO Box 389, Lafayette Hill, PA 19444 • customerservice@go-foster.com • www.go-foster.com



# ON-A-ROLL LIFTER® LOW PROFILE

## SPECIFICATIONS 61574



**2-YEAR WARRANTY** on hydraulics and media tray  
**5-YEAR WARRANTY** on cross bars

800.523.4855 or 267.413.6220

PO Box 389, Lafayette Hill, PA 19444 • customerservice@go-foster.com • www.go-foster.com