



ON-A-ROLL LIFTER® COMPACT

Tight corners?
Narrow spaces?
This lifter goes where
others cannot.

Designed specifically for sign makers and other businesses with the need to handle heavy media rolls. It enables users to quickly and effortlessly lift media as heavy as 200 lbs (90 kg) and as wide as 71 inches (180 cm), with diameters as great as 12 inches (30.5 cm). The compact design allows user to maneuver around tight corners and through narrow passages.



IMPORTANT FEATURES

- Easy-to-use operation reduces on-the-job injuries
- User-friendly operation avoids costly and dangerous handling mistakes that damage media
- Single-person operation saves labor and time
- Designed to operate even in shops with limited floor space
- Rugged construction ensures long lifter life

See drawings and dimensions on page 2 to determine if the #61579 is right for you.

MODEL 61579

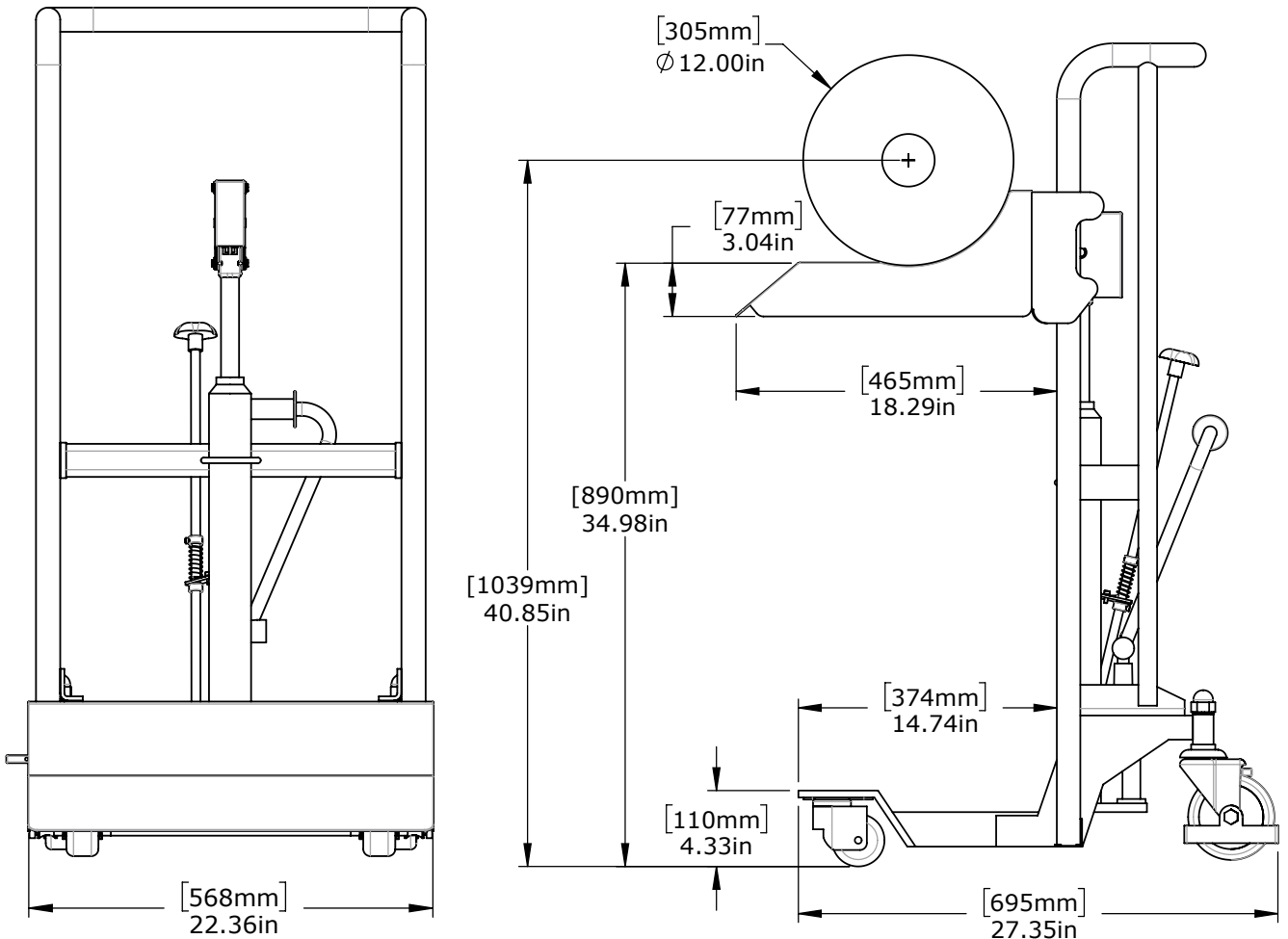
Roll Weight Capacity.....	90 kg (200 lbs)
Lift Height	85 cm (33.5")
Max. Roll Width	180 cm (71")
Max. Roll Diameter	30.5 cm (12")
Width x Depth.....	57.4 cm x 79.6 cm (22.6" x 31.34")
Height.....	107.9 cm (42.48")
Weight.....	80 kg (177 lbs)
Bottom Fork Clearance	11.7 cm (4.63")
Front Swivel Castors.....	2.36" ø x 1.57"W
Rear Swivel Castors	5" ø x 1.46"W

800.523.4855 or 267.413.6220 • fax 267.413.6227

204B Progress Drive, Montgomeryville, PA 18936 USA • information@go-foster.com • www.go-foster.com



ON-A-ROLL LIFTER® COMPACT MODEL 61579



2-YEAR WARRANTY on hydraulics and media tray.
5-YEAR WARRANTY on cross bars.