

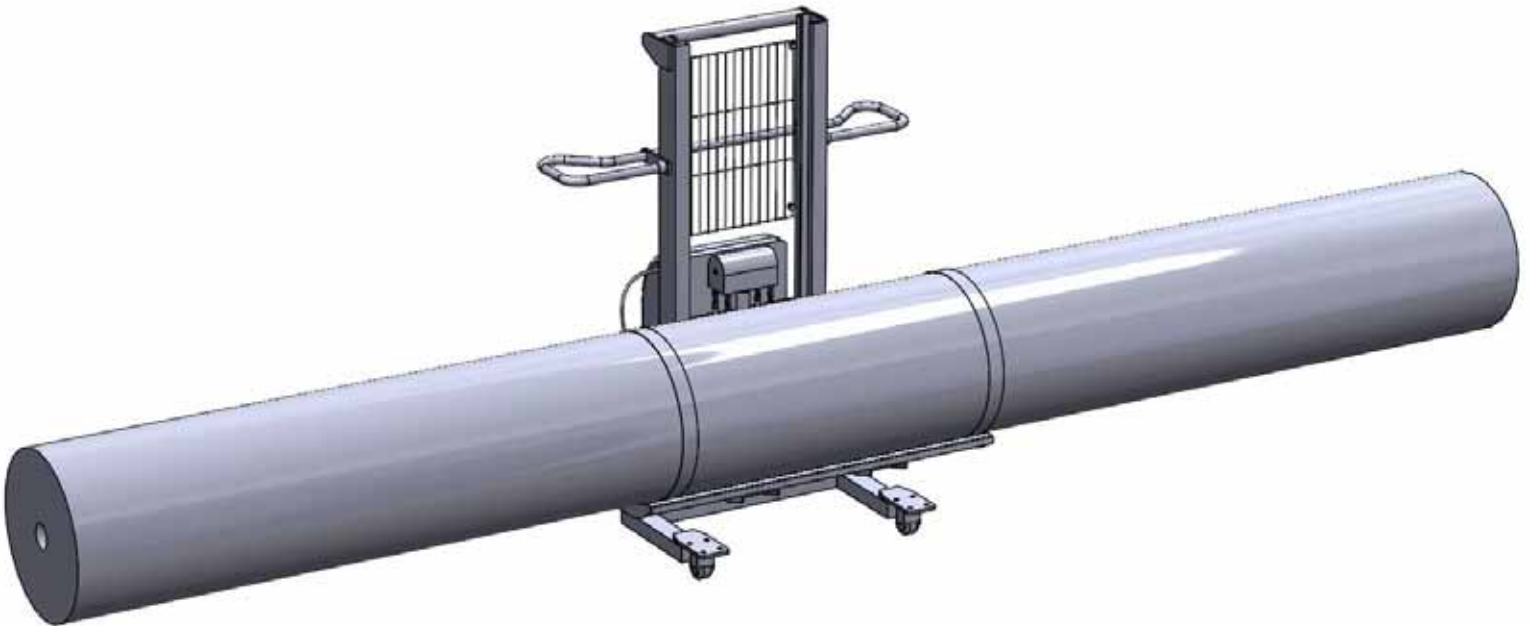
Foster

On-A-Roll Lifter®

Service Guide for Power Jumbo Models

This guide provides information on some common problems that may occur and steps to resolve them.

It is the user's responsibility to exercise good judgment, common sense, safety measures and reasonable limits regarding the use of the On-A-Roll Lifter® so as not to incur risk to the user or damage to the materials being carried. In order to obtain maximum benefit from your machine, please read these instructions carefully before using the On-A-Roll Lifter®.



Contents

- 1. Parts Diagram**
 - 1.1 Complete Parts Diagram**
 - 1.2 Fork Assembly & Media Lifter Assembly**
 - 1.3 Hydraulic Pump Assembly & Push Bar Assembly**
 - 1.4 Electric Control Box Assembly**
- 2. Diagram of Hydraulic System**
- 3. Diagram of Electric System**
- 4. On-A-Roll Lifter® Wheels Not Turning Properly**
- 5. Opening & Closing the Electric Control Box**
- 6. Oil Change and Filling**
- 7. Hydraulic Pump Check**
- 8. Oil Leaking and Prevention**
- 9. Troubleshooting & Maintenance**

Parts Diagram

1 Parts diagram and list of components

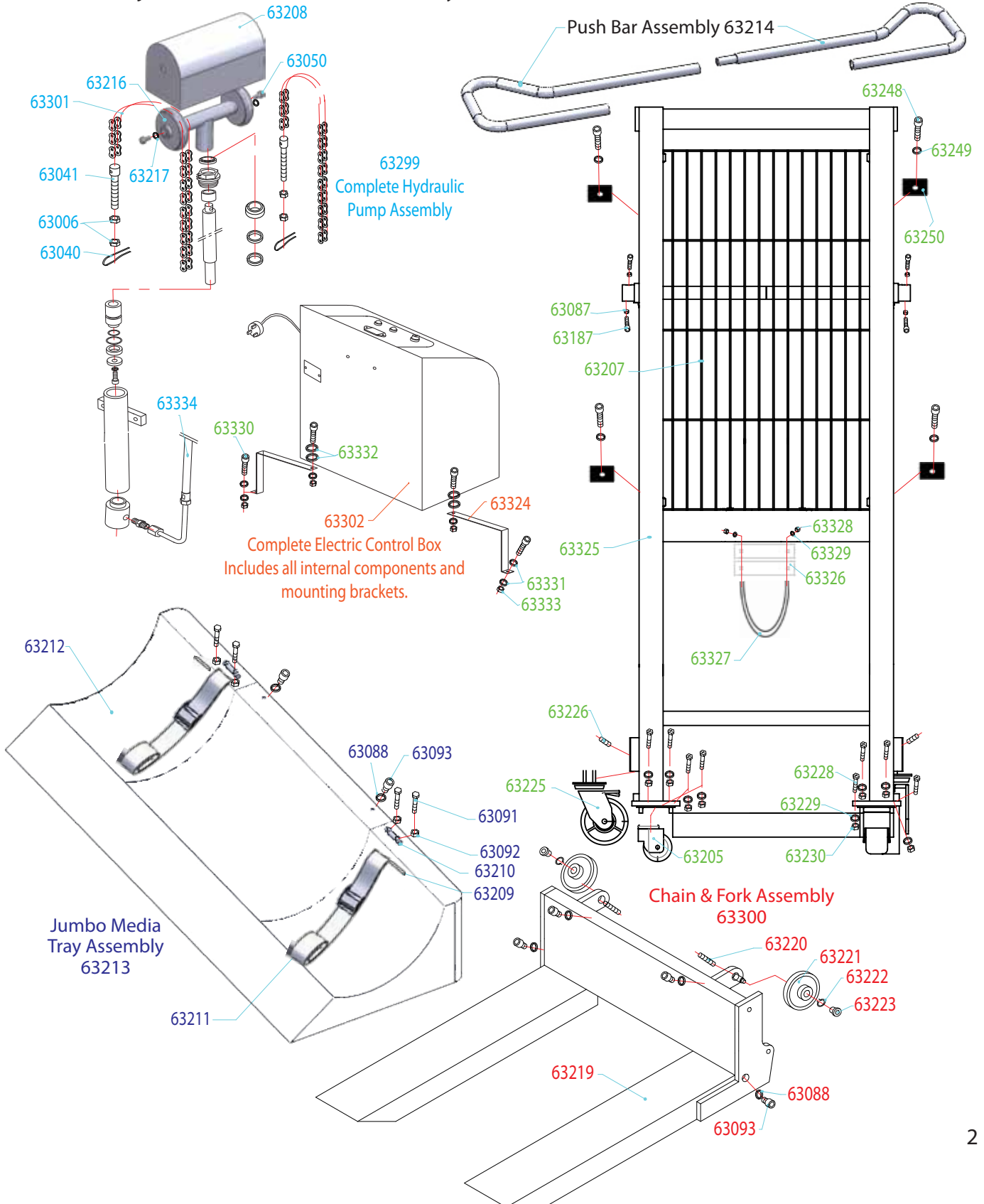
- 1.1 Contact Foster before replacing any components or performing any adjustments that aren't currently mentioned in this instruction manual.

| Item # | Description | Item # | Description |
|--------|---------------------------------------|--------|-------------------------------------|
| 63006 | Support/caster frame nut | 63297 | EU Power Cord for 220V/50HZ/1PH |
| 63040 | Hydraulic pump chain cotter pin | 63298 | US Power Cord for 110V/60HZ |
| 63041 | Hydraulic pump chain bolt | 63299 | Complete pump assembly |
| 63050 | Hydraulic pump chain guard screw | 63300 | Power Jumbo Chain & Fork Assembly |
| 63087 | Allen key bolt nut | 63301 | Chain Assembly- connected |
| 63088 | Allen key bolt washer | 63302 | Complete Electric Control Box |
| 63090 | Media tray strap clamp | 63303 | Power Jumbo Case |
| 63091 | Media tray strap bolt | 63304 | Battery Connector |
| 63092 | Media tray strap nut | 63305 | Battery Connector Nut |
| 63093 | M6 x 12mm Bolt | 63306 | Battery Clamper |
| 63187 | Pull Bar Long Bolts M6 x 45mm | 63307 | Electric Box Cover |
| 63205 | Front Caster Wheel Assembly | 63308 | Electric Pump |
| 63207 | Wire Shield Protector | 63309 | Oil Pipe Adapter |
| 63208 | Chain wheel cover | 63310 | O Ring for Electric Pump |
| 63209 | 5cm wide Strap Pin | 63311 | Plug for Electric Pump |
| 63210 | 8cm wide strap clamp | 63312 | Key Switch for Electric Box |
| 63211 | Support Strap with buckle | 63313 | Coulometer |
| 63212 | Jumbo Media Tray | 63314 | Charging Status Indicator |
| 63213 | Jumbo Media Tray Assembly | 63315 | Control Faceplate |
| 63214 | Jumbo Push Bar Assembly | 63316 | Lower Operating Button |
| 63216 | Hydraulic Pump Double Chain Wheel | 63317 | Raise Operating Button |
| 63217 | Hydraulic pump chain guard washer | 63318 | Faceplate Screw |
| 63219 | Jumbo Fork Frame | 63319 | Electric Box Cover Screw |
| 63220 | Roller Bearing Thread Screw for Jumbo | 63320 | Electric Box Cover Washer |
| 63221 | Roller Bearing for Jumbo | 63321 | Battery Clamper Lower Bolt |
| 63222 | Snap Ring | 63322 | Battery Clamper Lower Washer |
| 63223 | Nylon Cap | 63323 | Battery Clamper Lower Nut |
| 63225 | Rear Caster Wheel Assembly | 63324 | Mounting Bracket for Electric Box |
| 63226 | Thread Screw for Rear Caster Wheel | 63325 | Power Jumbo Frame |
| 63228 | Front Caster Wheel Mounting Bolt | 63326 | Pump Rest Block |
| 63229 | Front Caster Wheel Mounting Washer | 63327 | "U" Bolt for Power Jumbo |
| 63230 | Front Caster Wheel Mounting Nut | 63328 | "U" bolt nut |
| 63248 | Wire Shield Protector Bolt | 63329 | "U" bolt washer |
| 63249 | Wire Shield Protector Washer | 63330 | Bolt for Mounting Bracket |
| 63250 | Wire Shield Protector Bracket | 63331 | Washer for Mounting Bracket |
| 63293 | Charger- 110V/60HZ, US Plug | 63332 | Large Washer for Mounting Bracket |
| 63294 | Fuse for Power Unit- All Lifters | 63333 | Nut for Mounting Bracket |
| 63295 | Battery for Power Unit- All Lifters | 63334 | Oil tube & Union for Hydraulic Pump |
| 63296 | Charger- 220V/50HZ/1PH, Euro plug | | |

Parts Diagram

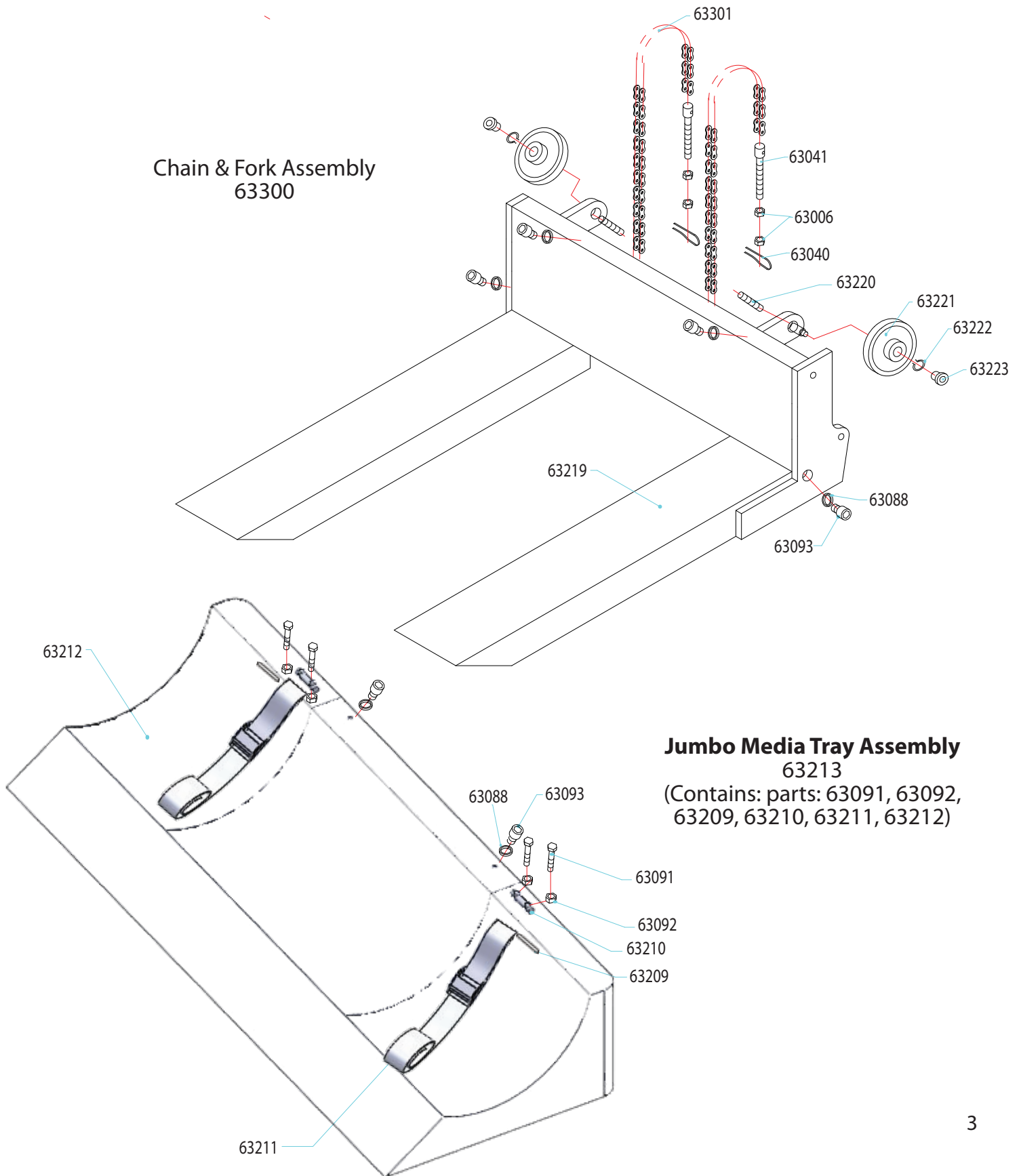
1 Parts diagram and list of components

1.1 Contact Foster before replacing any components or performing any adjustments that aren't currently mentioned in this instruction manual.



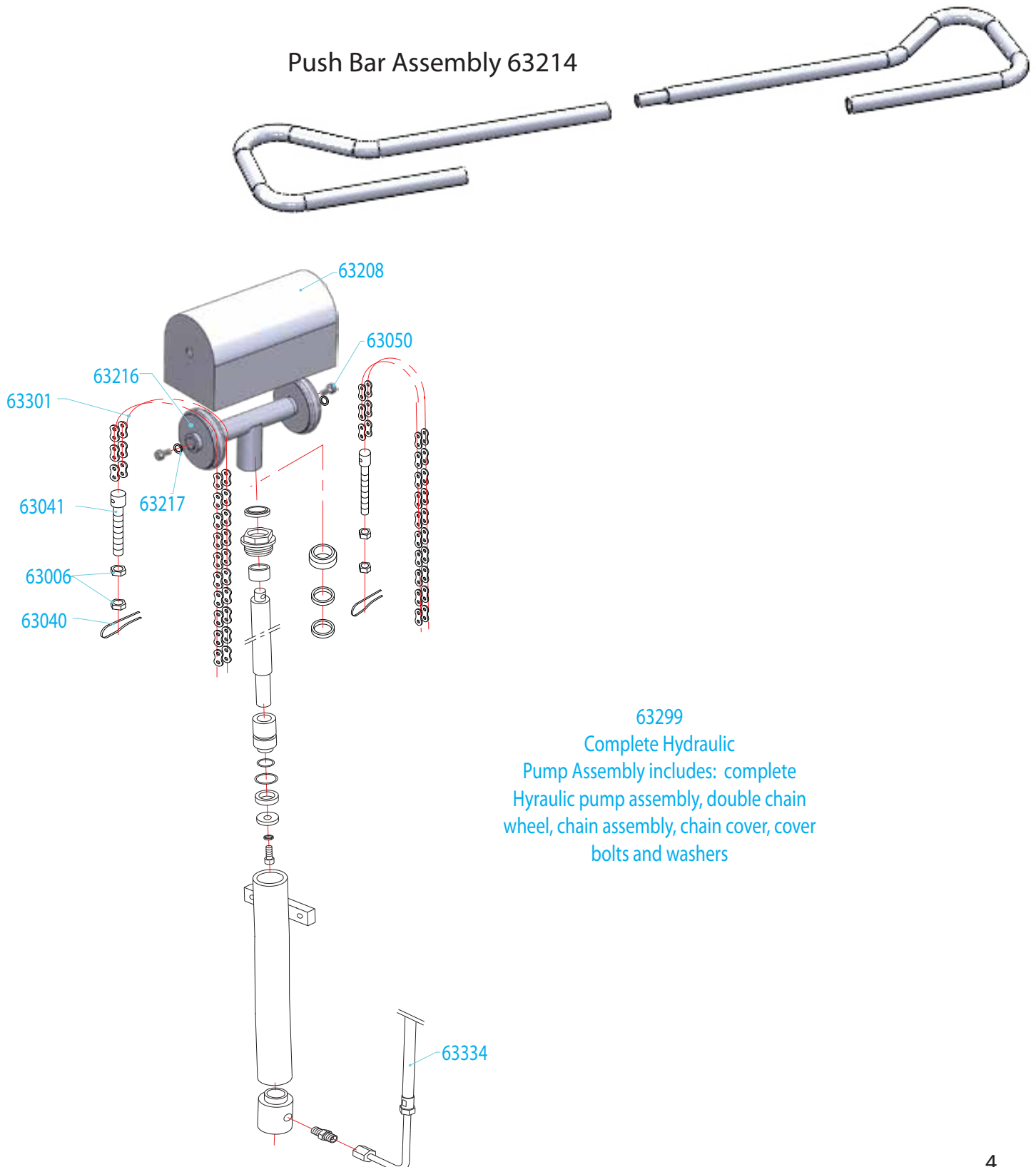
Parts Diagram

1.2 Parts diagram: Chain & Media Tray Assembly



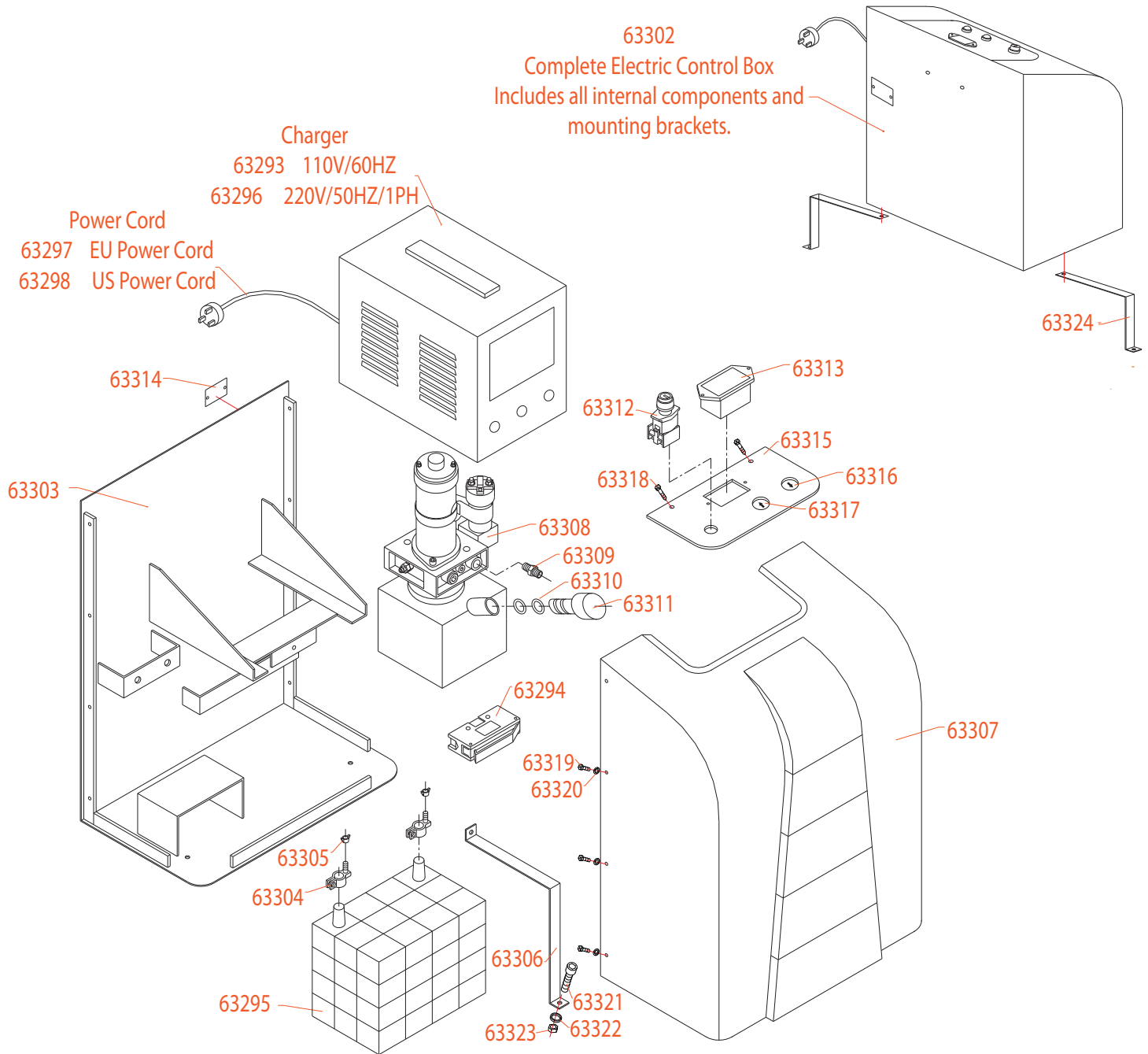
Parts Diagram

1.3 Parts diagram: Hydraulic & Handle Bar Assembly



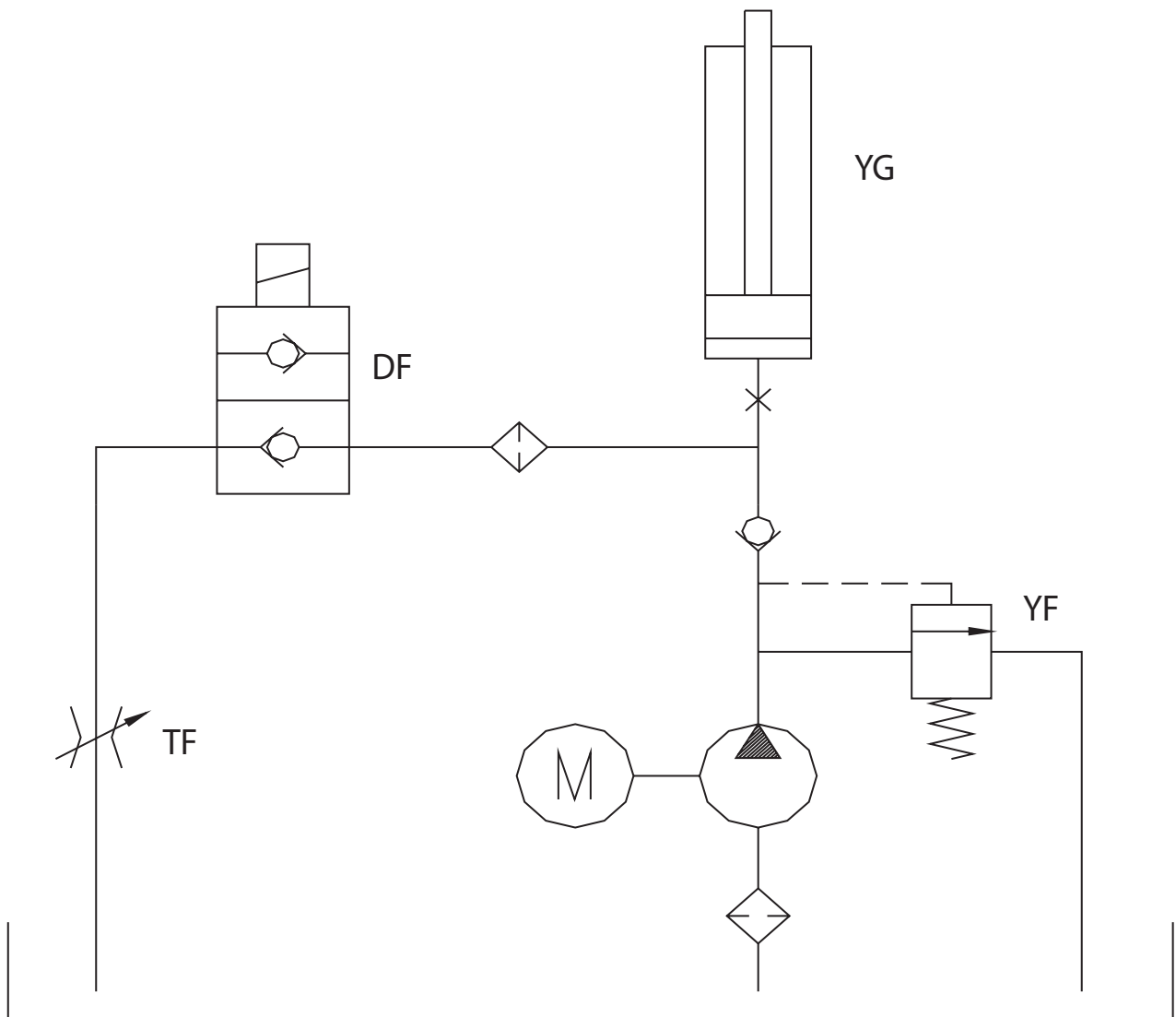
Parts Diagram

1.4 Parts diagram: Electric Control Box Assembly



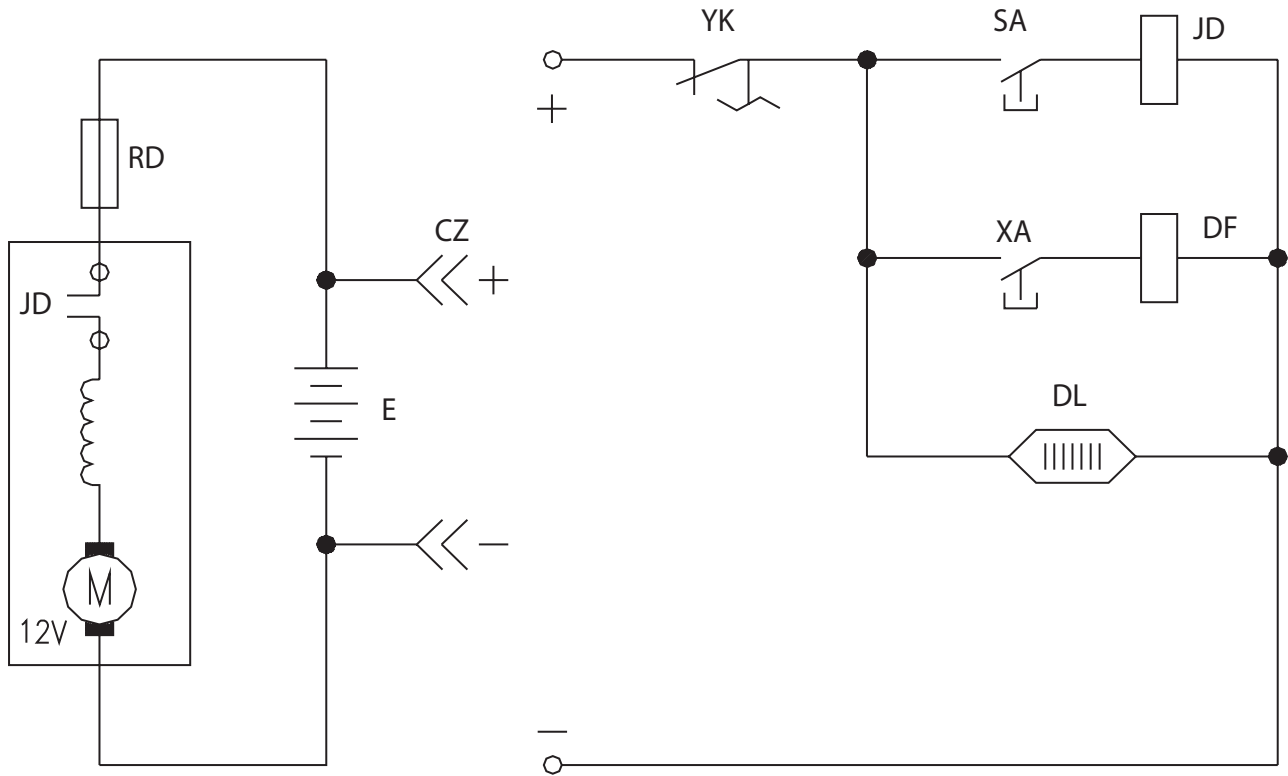
2. Diagram of Hydraulic System

| | |
|----|---------------------|
| YG | Hydraulic Cylinder |
| DF | Magnet Valve |
| TF | Speed Control Valve |
| YF | Discharge Valve |
| M | Electric Pump |



3. Diagram of Electric System

If unfamiliar with electric, have a trained Electrician service this unit.



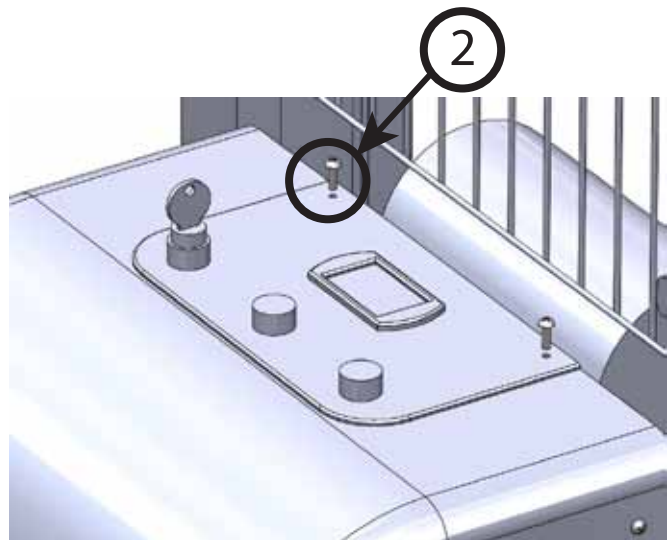
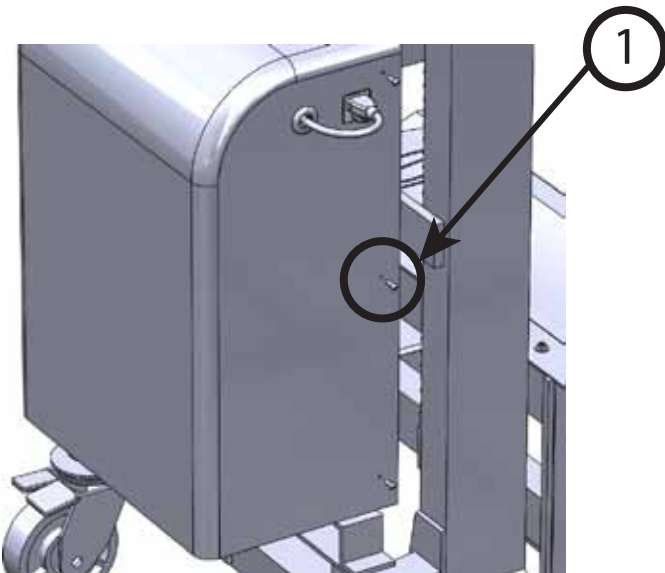
| | |
|----|----------------|
| JD | Relay |
| RD | Fuse |
| M | DC Motor |
| E | Battery |
| CZ | Charger Socket |
| YK | Switch |
| SA | LIFT- Button |
| XA | LOWER- Button |
| DF | Magnet Valve |
| DL | Coulometer |

4. On-A-Roll Lifter® Wheels Not Turning Properly

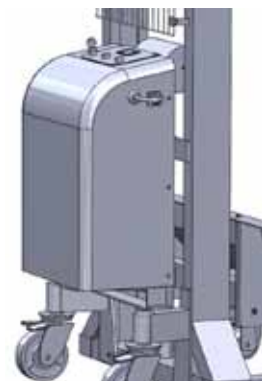
1. Lift the front side to ensure the front wheels are intact and turning. Replace if damaged.
2. Lift the back side to ensure the steering wheels are intact and turning. Replace if damaged.
3. Ensure the bottom cross bar on the frame is straight and not bowed. If the cross bar is bowed, the likely cause is that the user has dropped the roll media onto the tray or the roll weight is in excess of the recommended weight. Replace if damaged.

5. Opening & Closing the Electric Control Box

1. Using a Phillips Head Screwdriver, remove the 6 screws on the side of the Electric Control Box Cover. There will be 3 on each side.
2. Using a Phillips Head Screwdriver, remove the 2 screws located on the Electric Control Box Faceplate on top.
3. Gently remove the Cover and Faceplate being mindful of the electrical connections to leave intact.



To install the cover, line up the cover and faceplate back in position. The screw holes should match the holes on the unit. Using a Phillips Head Screwdriver insert the top 2 faceplate screws followed by the 6 side screws until the cover is securely in place.

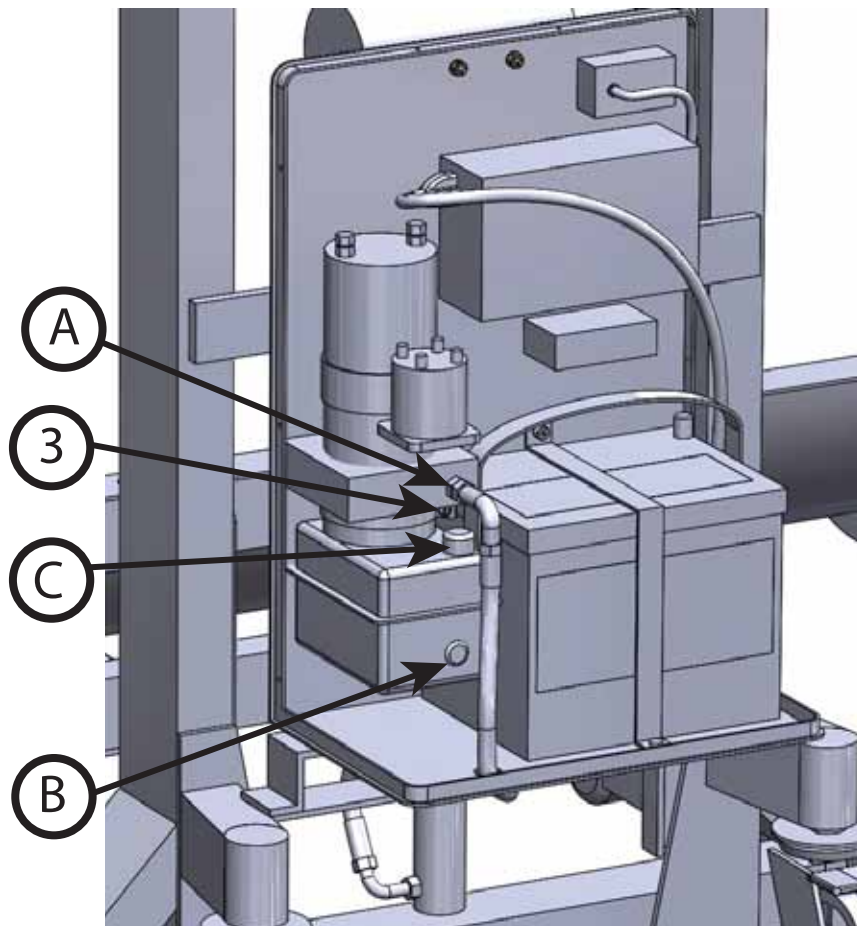


6. Oil Change and Filling

1. Lower the lifter tray to the lowest position.
2. Remove the Electric Control Box cover as instructed in the previous step 5.
3. Using a flathead screwdriver or 8mm socket wrench, loosen the clamp ring that secures the oil tank to the pump. ***
4. Drain the old oil, clean the valve plate and the oil tank.
5. Fill the pump unit 80% of the tank with type L-HM46 Hydraulic oil (equivalent to ISO VG46).
6. Inspect the connections to avoid oil leaks.
7. Reassemble the pump section and ensure all parts are securely tight and in place.

*** If not able to remove the tank easily with loosening the clamp ring:

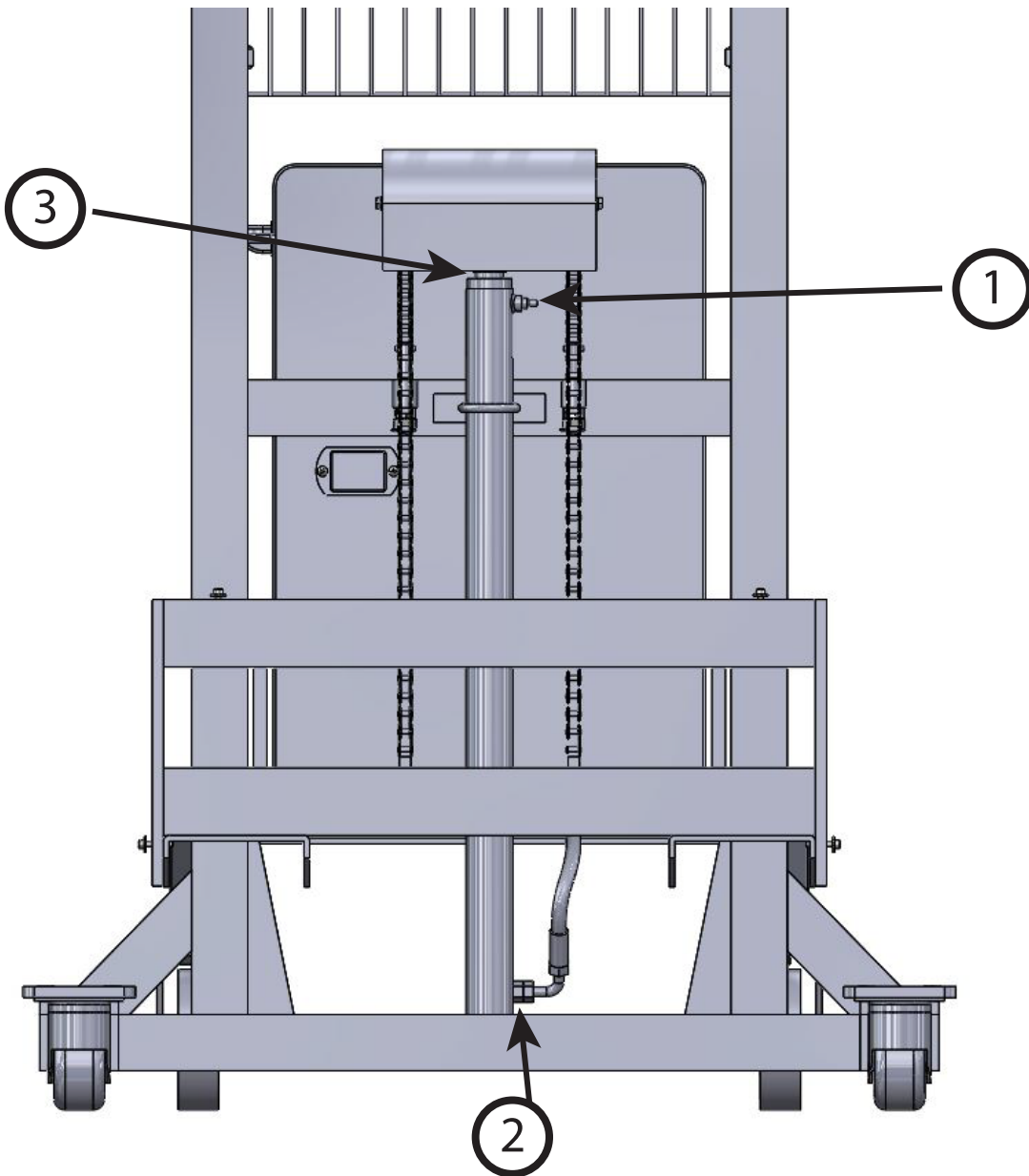
- A. Using a 17mm wrench remove the Union from the Oil Tube. Note that if oil is in the line it will start to leak out on removal and you will need to have something to collect the oil while removing the Union and Oil Tube connection.
- B. Draining the Oil Tank from the drain screw. Place an oil pan to collect the oil. Using an 8mm Allen Key, remove the drain screw and allow the oil to drain into the pan.
- C. Oil can be checked and refilled from the Oil Cap on the top of the tank.



7. Hydraulic Pump Check

Regularly changing your hydraulic fluid is the best way to prevent hydraulic pump leaks. If a leak has occurred, check all connections to the hydraulic pump to make sure everything is properly tightened.

1. Check Piston Valve.
2. Check both union connections on the Oil Tube.
3. Check top connection where Double Chain Roller attaches to Hydraulic Pump.

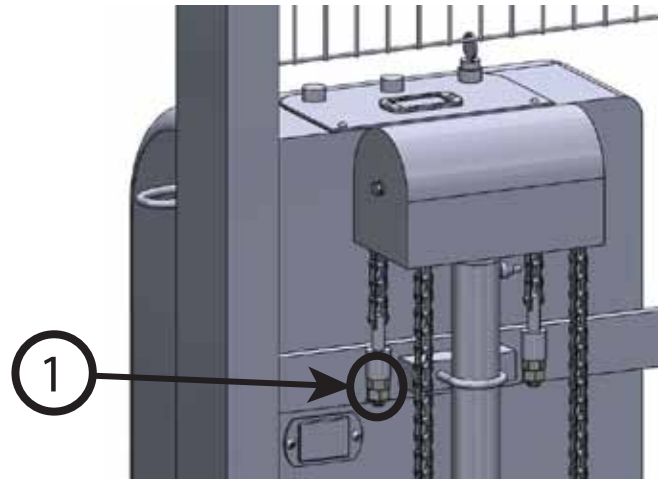


8. Oil Leaking and Prevention

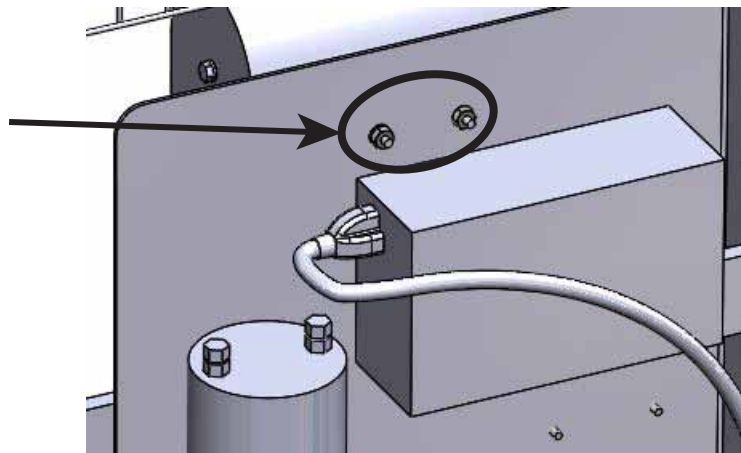
If any of the connection points are loose in Step 7, tighten them to prevent leaking. If any connection point is damaged, those parts will need to be replaced. If all 3 connections appear fine then the Hydraulic Pump will need to be replaced.

Hydraulic Pump Replacement

1. Remove the nuts and cotter pins from both chains attaching to the top section of the chain assembly.



2. Remove 2 washers and nuts from the U bolt.



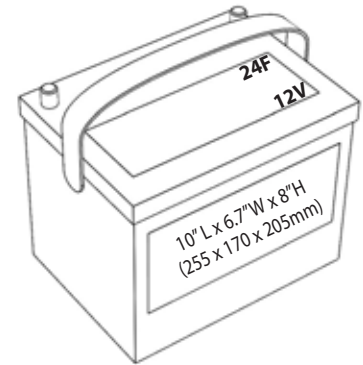
3. Lift the hydraulic pump.
4. Pack it properly into thick packaging material to avoid the oil spilling.
5. Replace with new hydraulic pump.
6. Tighten 2 washer and nuts from the U bolt.
7. Reattach the nuts and cotter pins to each chain.

9. Troubleshooting & Maintenance

| No. | Problem / Description | Cause / Reason | Solution |
|-----|--|---|--|
| 1 | Coulometer doesn't indicate when key switch is ON. | <ol style="list-style-type: none"> 1. Terminals and inserts are loose. 2. Switch is out of order. | <ol style="list-style-type: none"> 1. Check terminals and all connections to ensure nothing is loose or damaged. 2. Check and change the switch or damaged wires. |
| 2 | Roll tray does not lift up when pushing the LIFT button. | <ol style="list-style-type: none"> 1. Terminals and inserts are loose. 2. Oil is low on Hydraulic Pump. 3. Fuse is broken. 4. Lift Button is broken. | <ol style="list-style-type: none"> 1. Check terminals and all connections to ensure nothing is loose or damaged. 2. Fill oil to proper level. 3. Replace Fuse. 4. Check and replace lift button. |
| 3 | Lifting speed is too slow when pushing LIFT button. | <ol style="list-style-type: none"> 1. Battery does not have enough power. 2. Relief valve is not in proper position. 3. Roll weight exceeds lifting capability. | <ol style="list-style-type: none"> 1. Recharge the battery. 2. Adjust the relief valve. 3. Check roll weight to ensure it is 990lbs (450kg) or less. |
| 4 | Roll tray can't lift to the top. | <ol style="list-style-type: none"> 1. Oil is low on Hydraulic Pump. 2. Other object blocking. | <ol style="list-style-type: none"> 1. Fill oil to proper level. 2. Remove object that is blocking the lifter from raising. |
| 5 | Electric pump does not work. | <ol style="list-style-type: none"> 1. Battery does not have enough power. 2. Terminals and connector are loose. 3. Electric pump is broken. | <ol style="list-style-type: none"> 1. Recharge the battery. 2. Check terminals and connector. 3. Check and replace. |
| 6 | Roll tray does not lower when pushing LOWER button. | <ol style="list-style-type: none"> 1. Fuse is broken. 2. Lower button is broken. 3. Magnet contactor is broken. 4. Other object blocking. | <ol style="list-style-type: none"> 1. Check and replace Fuse. 2. Check and replace button. 3. Check and replace magnet. 4. Remove object that is blocking the lifter from lowering. |
| 7 | Coulmeter shows nothing, red light is flashing or the battery doesn't have enough power. | <ol style="list-style-type: none"> 1. Terminals and inserts are loose. 2. Hasn't been charged long enough. 3. Local electric doesn't match the charger. 4. Battery is worn out. | <ol style="list-style-type: none"> 1. Check terminals and all connections to ensure nothing is loose or damaged. 2. Charge the unit longer. 3. Connect charger to match electric requirements. Or have a certified electrician correct the outlet. 4. Check and replace the battery. |
| 8 | Hydraulic system has oil leaks. | <ol style="list-style-type: none"> 1. Oil seals are broken or loose. | <ol style="list-style-type: none"> 1. Replace oil seals or tighten those that are loose. |
| 9 | After recharge, Coulometer shows low electricity and lifting speed is slow. | <ol style="list-style-type: none"> 1. Battery hasn't been charged long enough. 2. Battery is worn out. 3. Charger is warn out. | <ol style="list-style-type: none"> 1. Recharge the battery. 2. Check and replace the battery. 3. Check and replace the charger. |

9. Troubleshooting & Maintenance

| Specifications | Battery Charger & Hydraulic Oil |
|-----------------|---|
| Electric | 12V/60AH DC Motor |
| Battery | Maintenance free lead acid battery 10" L x 6.7"W x 8"H (255 x 170 x 205mm) |
| Battery Charger | Built-in 110V AC charger |
| Hydraulic Oil | L-HM46 Hydraulic oil (equivalent to ISO VG46) |

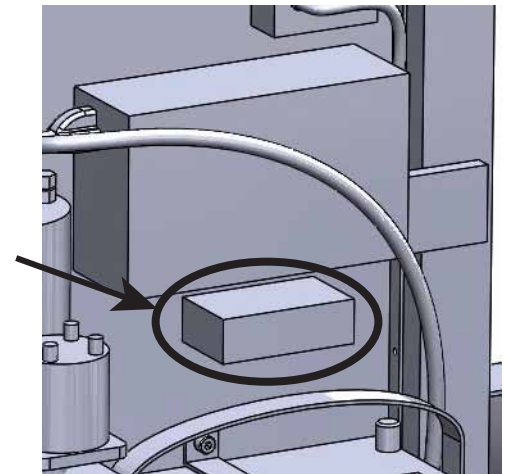


Replacing the Battery.

1. Using a 5mm Allen Key and a 10mm Wrench, remove both the top and bottom bolts and nuts from the battery clamber.
2. Disconnect the old battery.
3. Install the new 12V maintenance free lead acid battery.
4. Reconnect the battery and clamber.

Replacing the Fuse.

1. On the fuse box, open the door to get access to the fuse.
2. Slide the fuse out of its holder.
3. Insert new fuse and line up both ends on the connectors.
4. Close the fuse box.



Replacing the Key Switch, LIFT, or LOWER buttons.

If unfamiliar with electric, have a trained Electrician service this unit.

1. Use a screwdriver to remove the 2 screws holding the button in place.
2. Disconnect the wires keeping them separated from each other.
3. Install the new button and reconnect the wires.

