

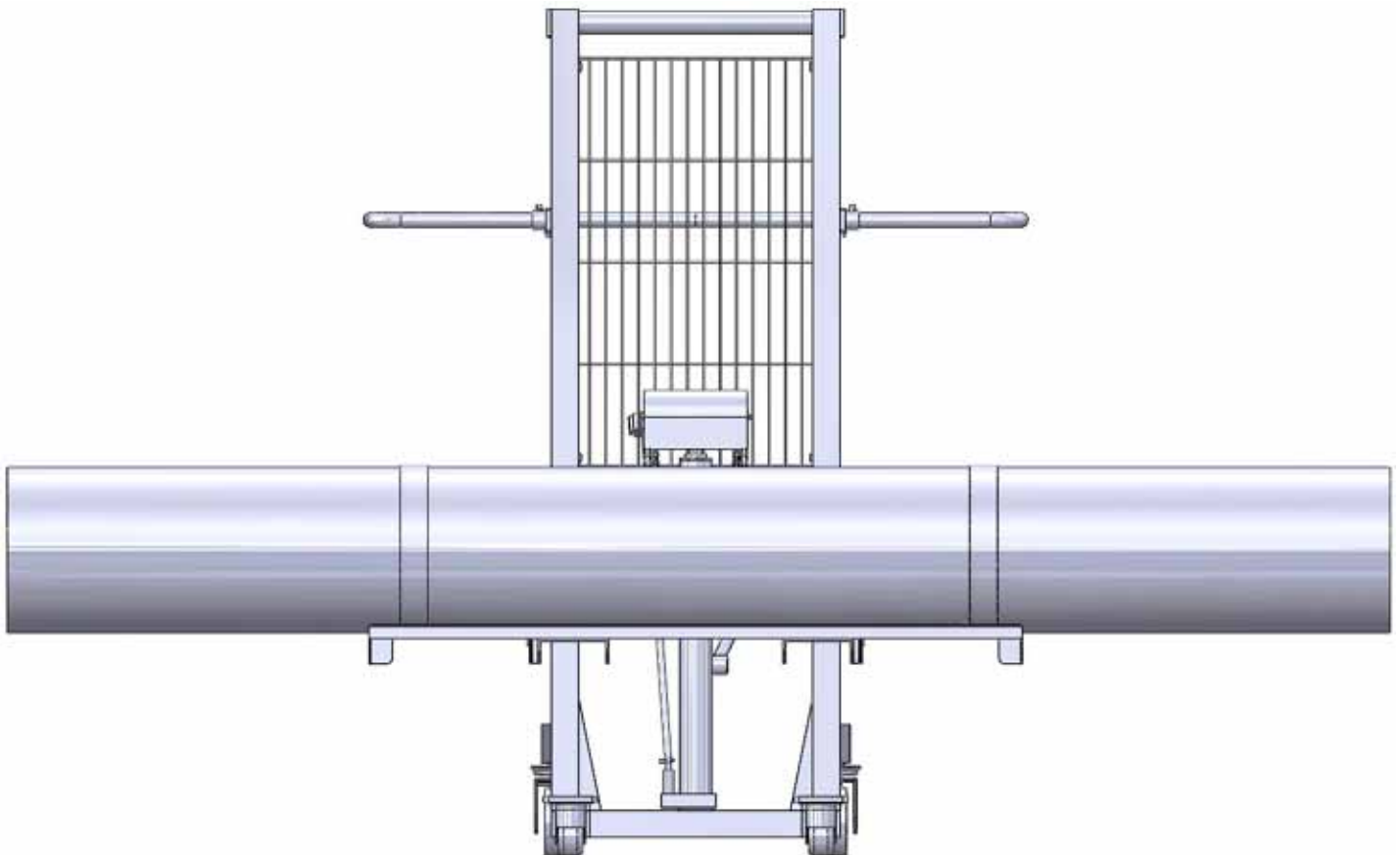
Foster

On-A-Roll Lifter®

Service Guide for Jumbo Models

This guide provides information on some common problems that may occur and steps to resolve them.

It is the user's responsibility to exercise good judgment, common sense, safety measures and reasonable limits regarding the use of the On-A-Roll Lifter® so as not to incur risk to the user or damage to the materials being carried. In order to obtain maximum benefit from your machine, please read these instructions carefully before using the On-A-Roll Lifter®.



Contents

- 1. Parts Diagram**
 - 1.1 Complete Parts Diagram**
 - 1.2 Fork Assembly & Media Lifter Assembly**
 - 1.3 Hydraulic Pump Assembly & Push Bar Assembly**
- 2. On-A-Roll Lifter® Wheels Not Turning Properly**
- 3. Oil Leaking**
- 4. Roll Not Lifting**
- 5. Tray Sinks Down Slowly**
- 6. Oil Leaking At Release Valve**
- 7. Oil Leaking At Other Points**
- 8. Inspecting Hydraulic Cylinder for Leaks**
- 9. On-A-Roll Lifter® Lift Pump Repair**

Parts Diagram

1 Parts diagram and list of components

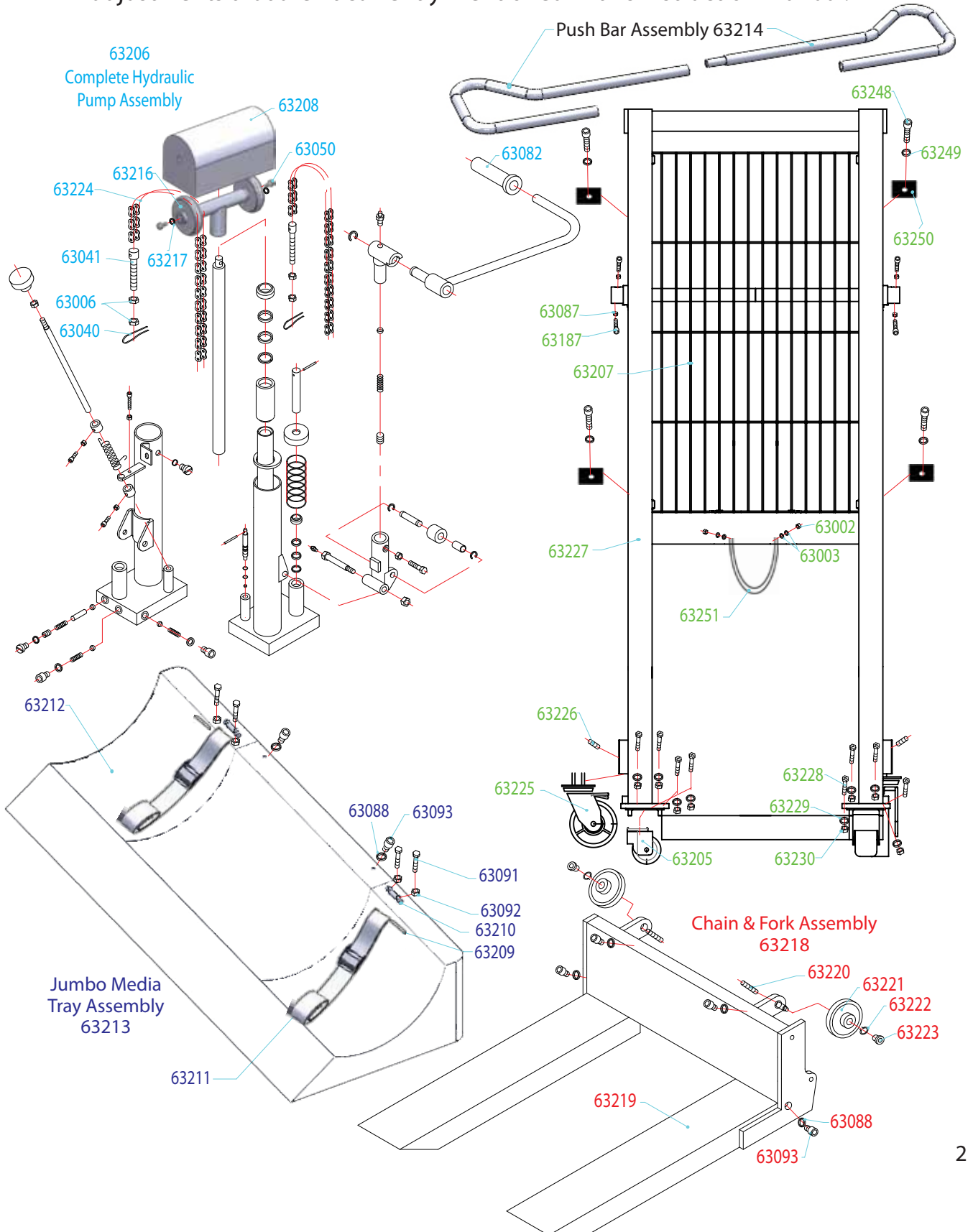
- 1.1 Contact Foster before replacing any components or performing any adjustments that aren't currently mentioned in this instruction manual.

Item #	Description	Item #	Description
63002	"U" bolt nut	63213	Jumbo Media Tray Assembly
63003	"U" bolt washer	63214	Jumbo Push Bar Assembly
63006	Support/caster frame nut	63216	Hydraulic Pump Double Chain Wheel
63040	Hydraulic pump chain cotter pin	63217	Hydraulic pump chain guard washer
63041	Hydraulic pump chain bolt	63218	Jumbo Chain & Fork Assembly
63050	Hydraulic pump chain guard screw	63219	Jumbo Fork Frame
63082	Hydraulic foot pump cover	63220	Roller Bearing Thread Screw for Jumbo
63087	Allen key bolt nut	63221	Roller Bearing for Jumbo
63088	Allen key bolt washer	63222	Snap Ring
63090	Media tray strap clamp	63223	Nylon Cap
63091	Media tray strap bolt	63224	Jumbo Chain Assembly- connected
63092	Media tray strap nut	63225	Rear Caster Wheel Assembly
63093	M6 x 12mm Bolt	63226	Thread Screw for Rear Caster Wheel
63187	Pull Bar Long Bolts M6 x 45mm	63227	Jumbo Frame
63205	Front Caster Wheel Assembly	63228	Front Caster Wheel Mounting Bolt
63206	Hydraulic Pump Assembly	63229	Front Caster Wheel Mounting Washer
63207	Wire Shield Protector	63230	Front Caster Wheel Mounting Nut
63208	Chain wheel cover	63248	Wire Shield Protector Bolt
63209	5cm wide Strap Pin	63249	Wire Shield Protector Washer
63210	8cm wide strap clamp	63250	Wire Shield Protector Bracket
63211	Support Strap with buckle	63251	"U" bolt
63212	Jumbo Media Tray		

Parts Diagram

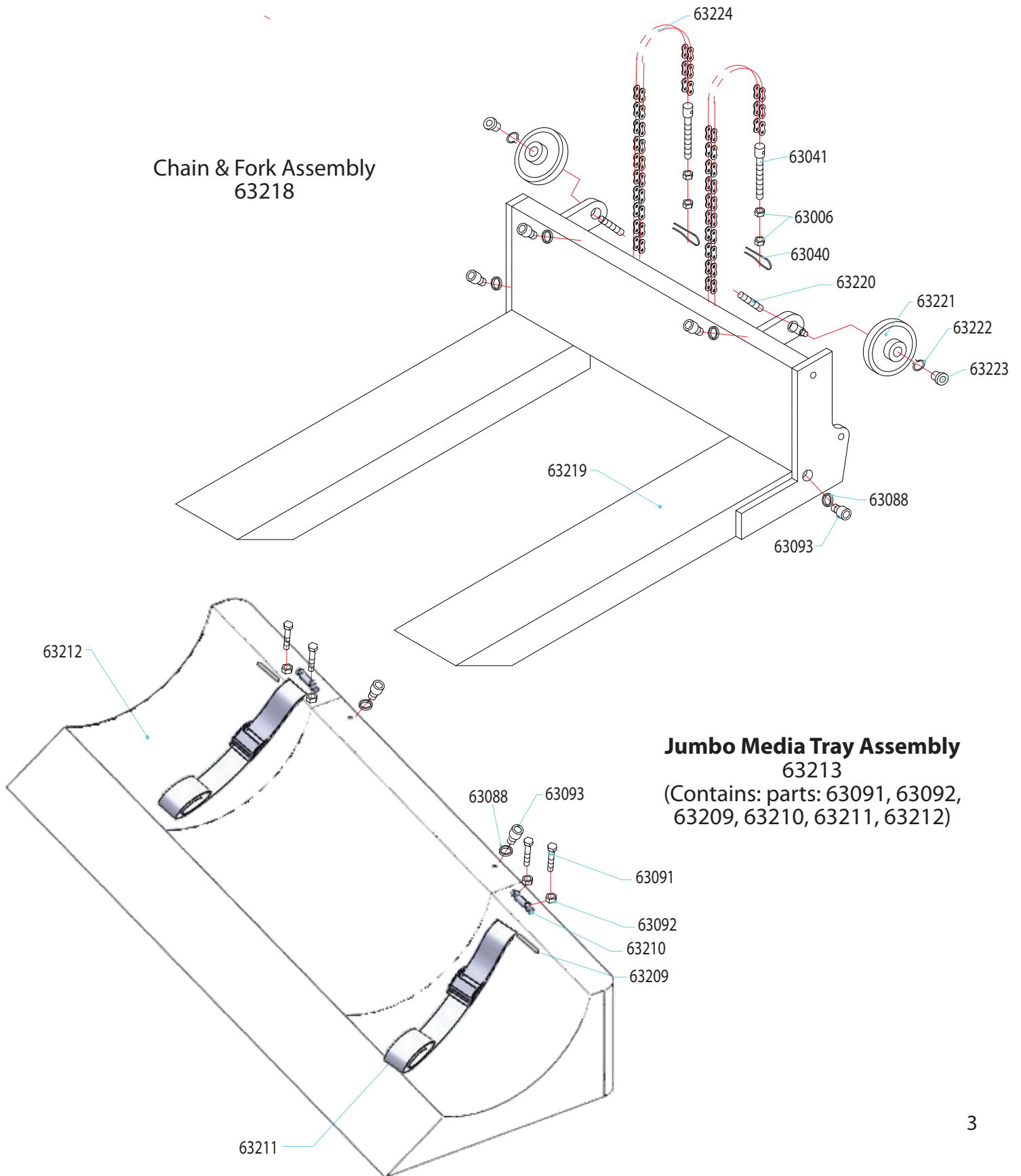
1 Parts diagram and list of components

1.1 Contact Foster before replacing any components or performing any adjustments that aren't currently mentioned in this instruction manual.



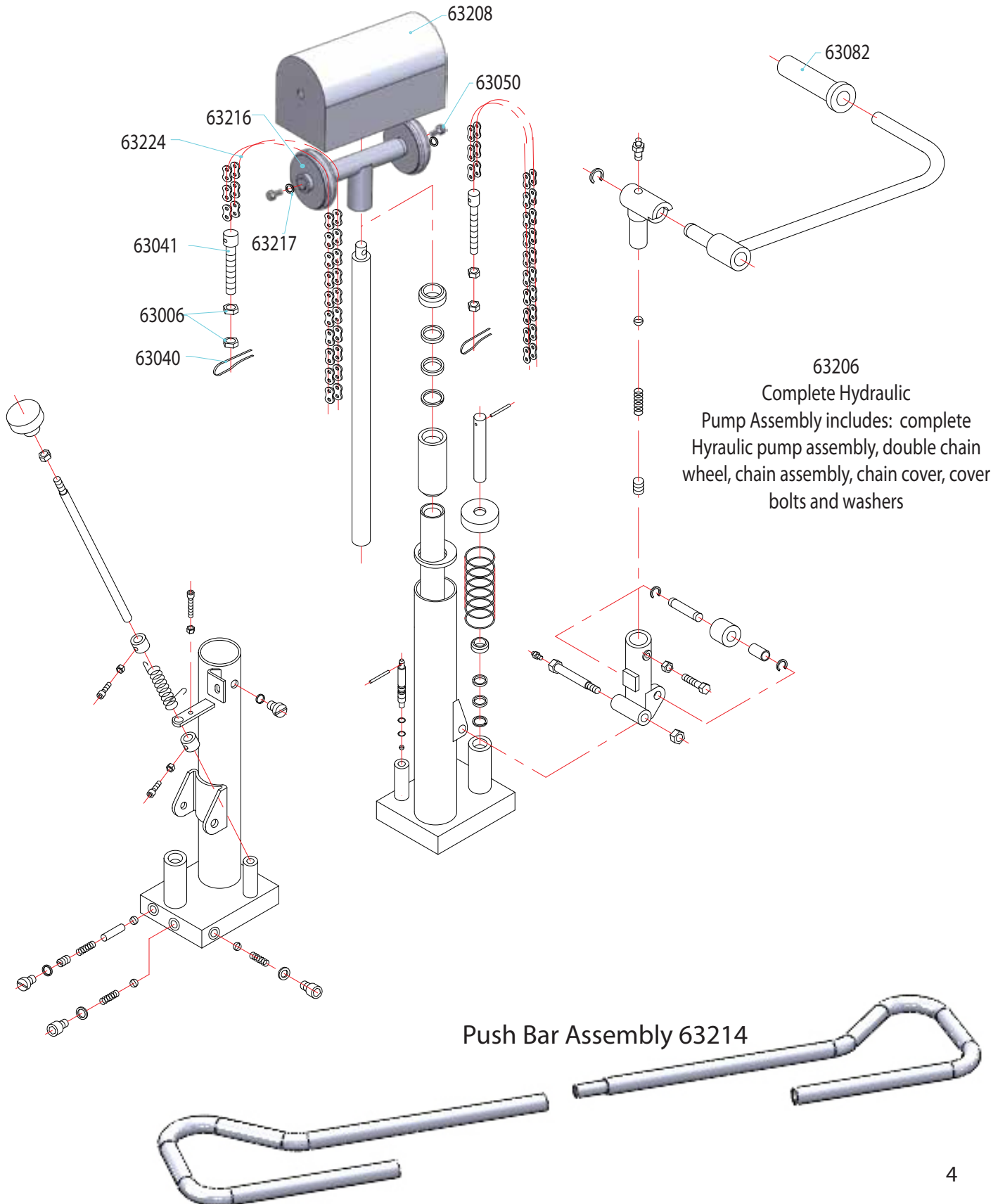
Parts Diagram

1.2 Parts diagram: Chain & Media Tray Assembly



Parts Diagram

1.3 Parts diagram: Hydraulic & Handle Bar Assembly

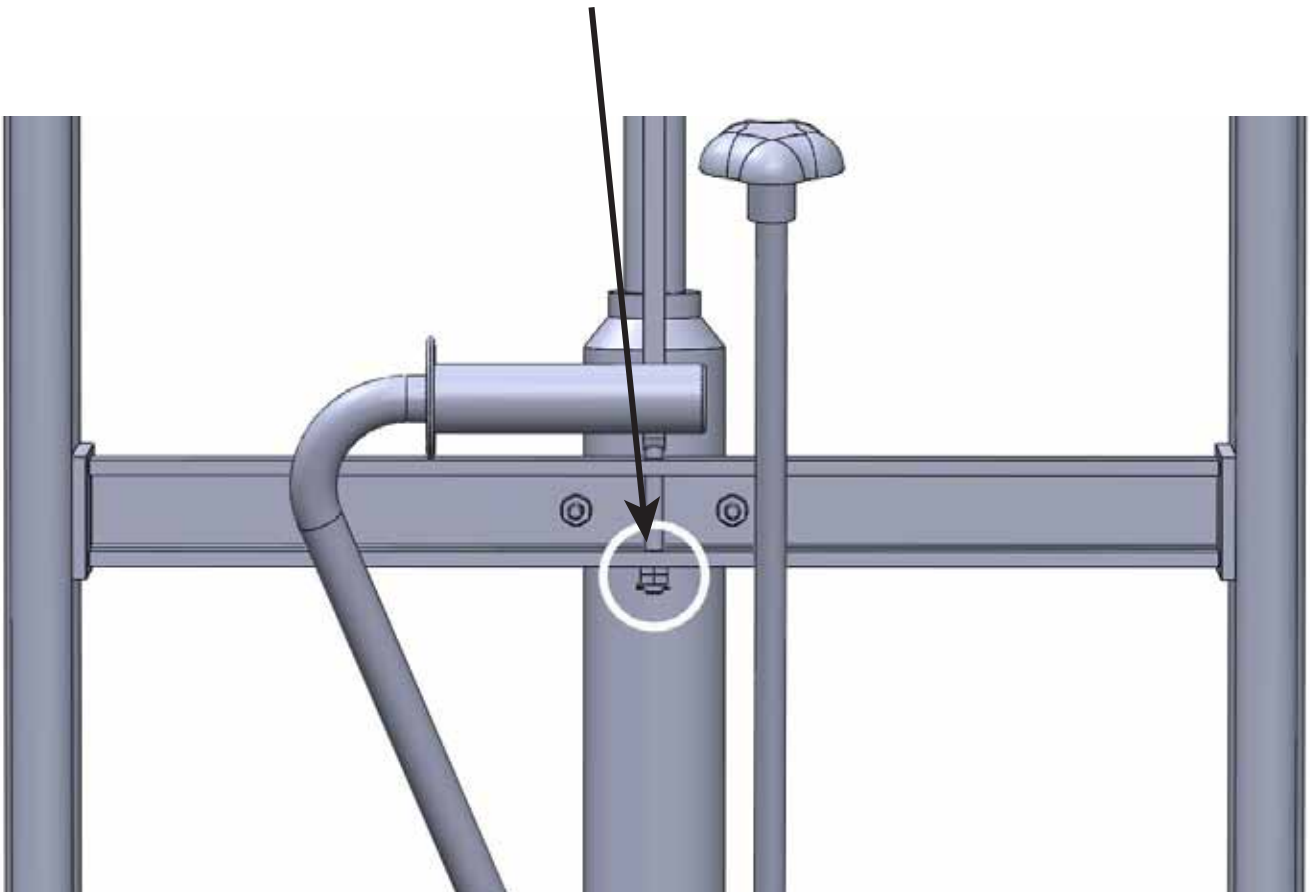


2. On-A-Roll Lifter® Wheels Not Turning Properly

1. Lift the front side to ensure the front wheels are intact and turning. Replace if damaged.
2. Lift the back side to ensure the steering wheels are intact and turning. Replace if damaged.
3. Ensure the cross bar is straight and not bowed. If the cross bar is bowed, the likely cause is that the user has dropped the roll media onto the tray or the roll weight is in excess of the recommended weight. Replace if damaged.

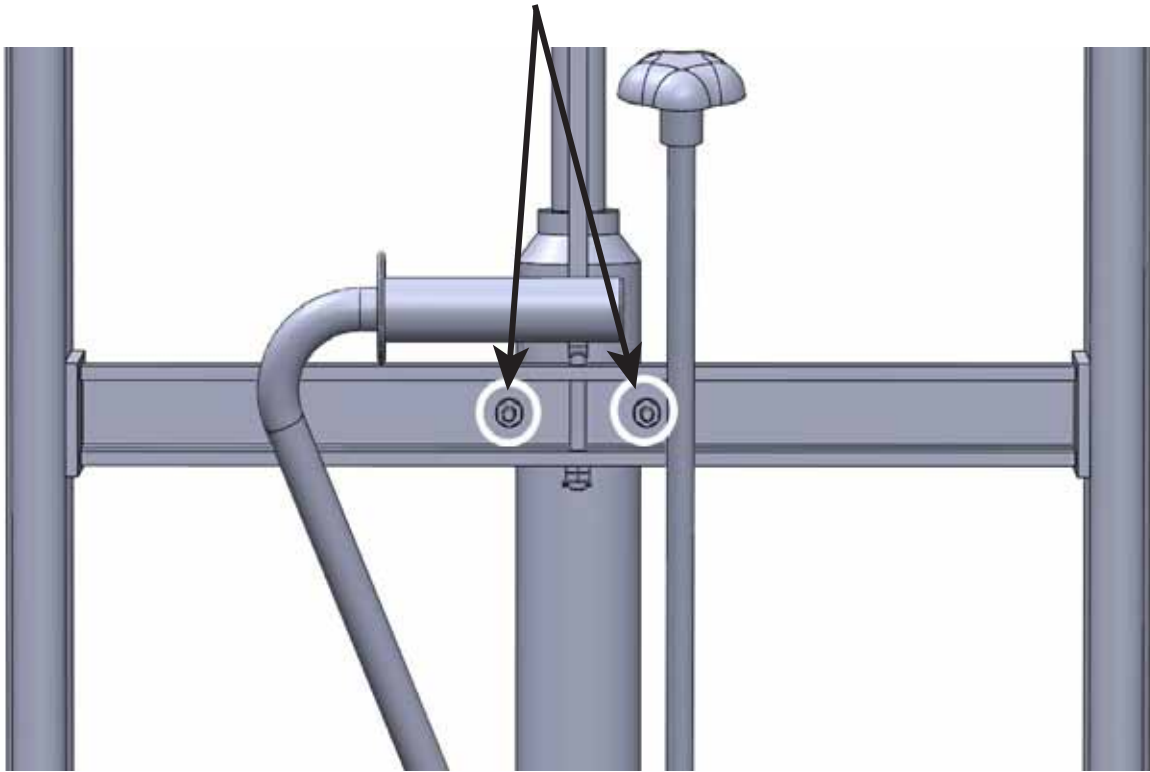
3. Oil Leaking

1. Remove the 2 nuts attached to the chain.



3. Oil Leaking

2. Remove 2 nuts from the U bolt.

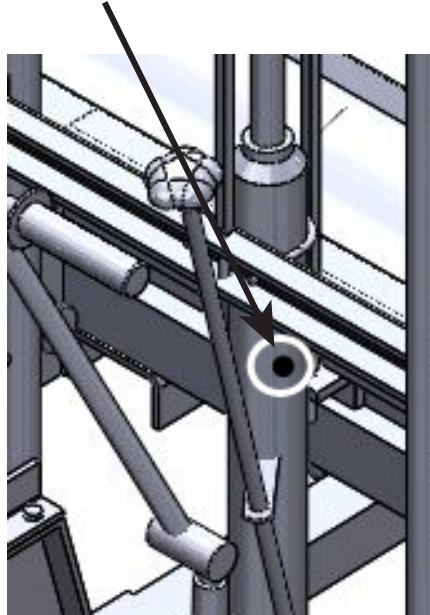


3. Lift the hydraulic pump.
 4. Pack it properly into thick packaging material to avoid the oil spilling.
 5. Replace with new hydraulic pump.
 6. Tighten 2 nuts from the U bolt and reattach the 2 nuts to the chain.

4. Roll Not Lifting

Check for leaking.

1. Open the oil filling screw:
2. Fill the pump unit with 10-20 ml hydraulic oil, type L-HM46 Hydraulic oil (equivalent to ISO VG46).
3. Wait for few minutes for the oil to reach the bottom of the pump unit. Try to lift.
4. If still not lifting, add additional oil in 2 more steps until the tray begins to lift.

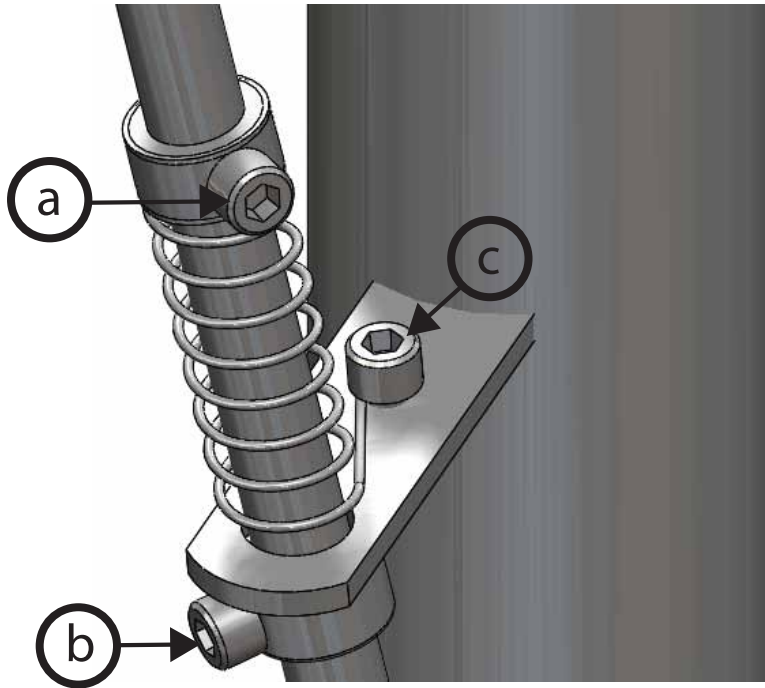


5. Tray Sinks Down Slowly

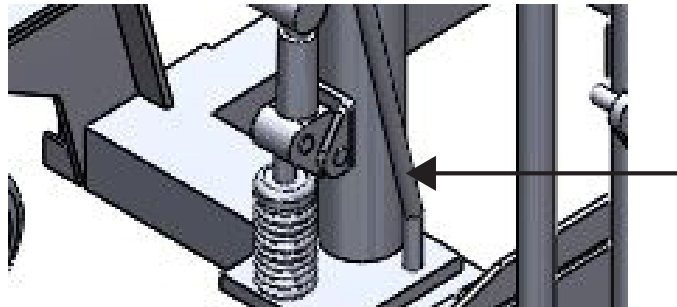
1. Replace the hydraulic pump as instructed in Instruction 3 "Oil Leaking".
2. Fill with more oil as instructed in Instruction 4 "Roll Not Lifting".
3. If still sinking, replace the seal of the lowering valve. See Instruction 6 "Oil Leaking at Release Valve".

6. Oil Leaking at Release Valve

1. Replace the hydraulic pump as instructed in step 3.
2. Open oil filling screw as instructed in step 4.
3. Turn the pump up-side down and empty oil into a bottle for later reuse.
4. Loosen screw (a), remove screw (b) and slide sprint sideward.
5. Loosen screw (c) and side it sideward. Remove the metal rod.



6. Unscrew the valve core and replace the 2 rubber rings.



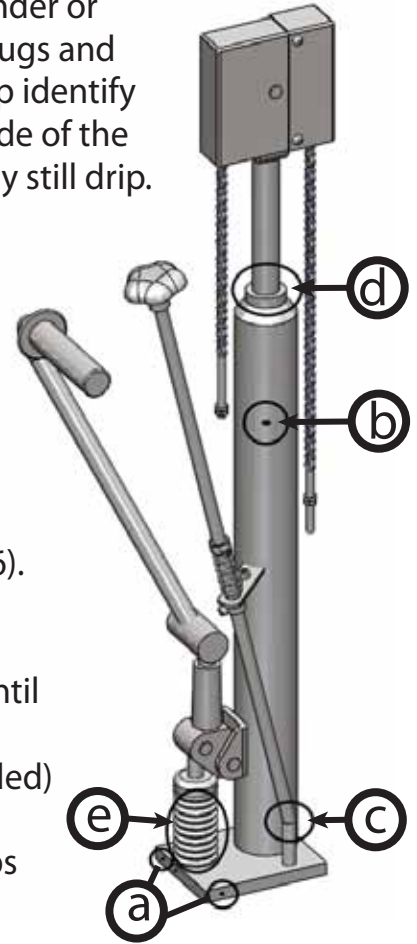
7. Reassemble the release valve.
8. Refill the oil into the pump.
9. Screw the oil filling screw.
10. Reassemble the hydraulic pump onto the lifter.

7. Oil Leaking at Other Points

1. Replace hydraulic pump.

8. Inspecting Hydraulic Cylinder for Leaks

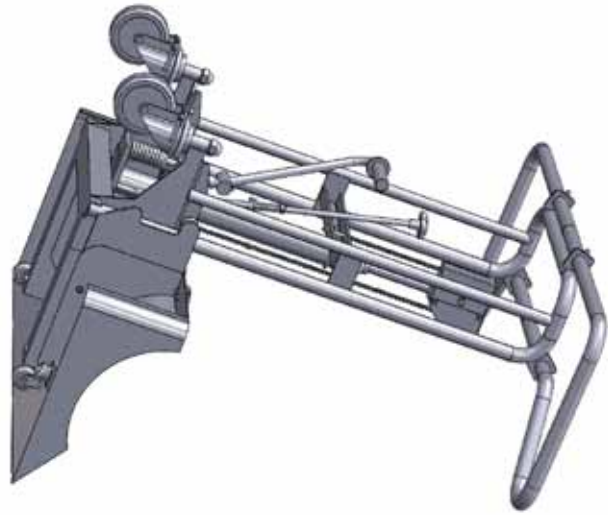
1. Wipe clean any excess oil that has accumulated on the cylinder or carriage, with attention to the areas around the fill/drain plugs and pressure seals circled in the previous diagram. This will help identify any future leaks (if they occur). Also make sure the underside of the cylinder/carriage has been wiped clean, any residual oil may still drip.
2. Inspect the Drain plugs (a) and ensure they are tight. Do not over tighten.
3. Inspect the oil fill plug (b) and ensure it is tight. Do not over tighten.
4. If excessive fluid has been lost (tray does not raise) see Step 4 "Roll Not Lifting". Otherwise, continue to Instruction 6 "Oil Leaking at Release Valve":
 - a. Fill the pump unit with 10-20 ml hydraulic oil (Less is better), L-HM46 Hydraulic oil (equivalent to ISO VG46).
 - b. Wait for few minutes for the oil to reach the bottom of the pump unit. Try to lift.
 - c. If still not lifting, add additional oil in 2 more steps until the tray begins to lift.
5. Cycle the On-A-Roll Lifter® up and down several times (loaded) and observe the following areas for leaks:
 - a. Drain plug leaks (a) should be visible as the fluid drips below their respective ports.
 - b. Looking upward, the next potential leak area is the release valve (c). Leaking fluid will cascade down the valves pedestal, and down to other components.
 - c. The oil fill plug is next (b), and a leak would show a fairly visible streak of oil coming downward from the plug.
 - d. Lastly, if the hydraulic ram (d) is leaking, oil would appear above the oil fill plug and cascade downward. However, at this point, it is suspected that the lifter would not hold the media tray in place.
 - e. Consider the pump (e). A leak here is often difficult to find due to the spring obstructing the seal area, making pre-cleaning and inspection difficult..
6. If you should find any leak that was not corrected by tightening the fill/drain plugs, please contact Foster (1-800-523-4855) for advanced support.



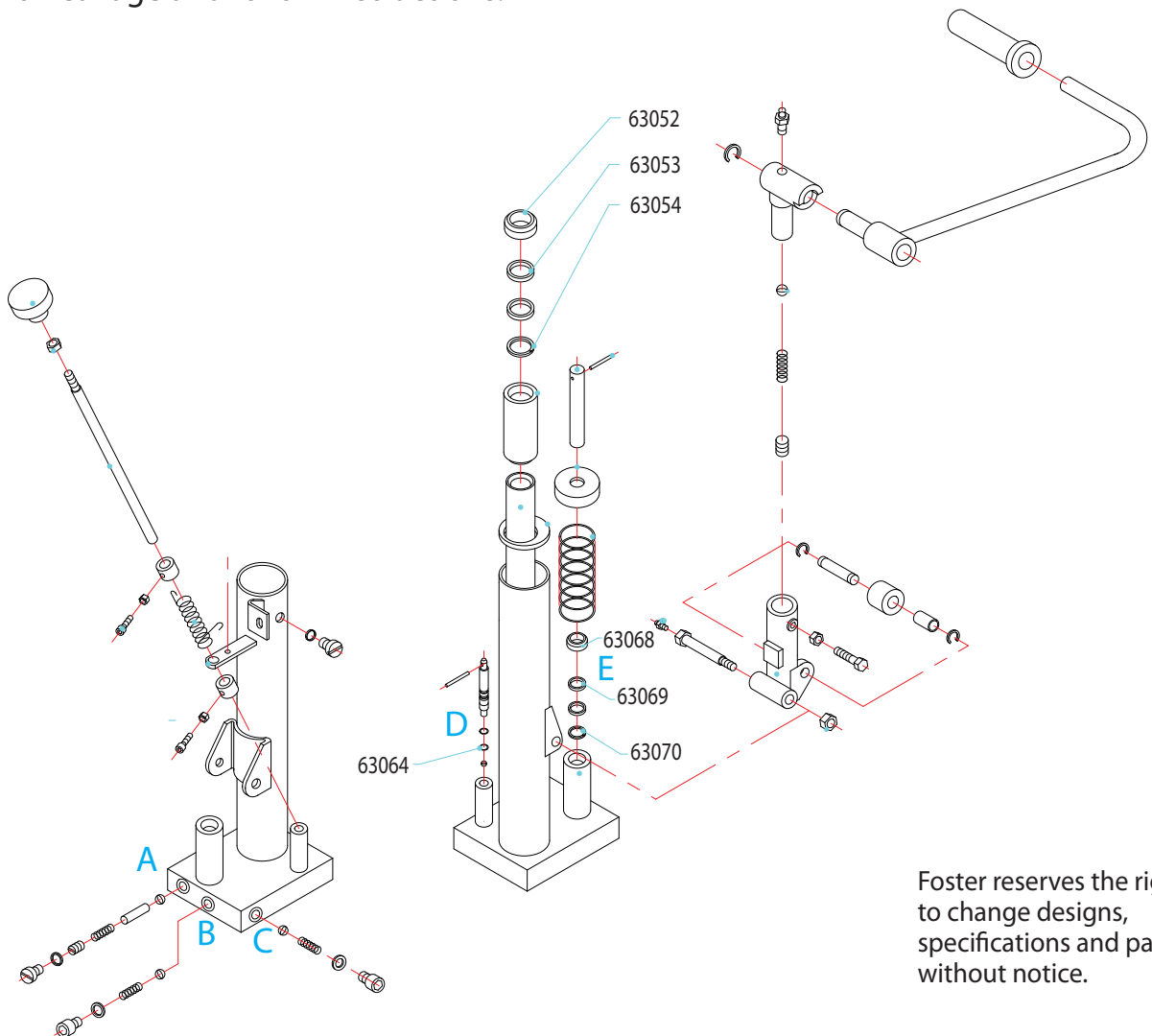
Note: If fluid has been added or the unit has been overfilled, it is possible that excess fluid may leak from the fill plug, when the lifter is in operation. The fill plug may continue to leak until the excess fluid is gone. This isn't a problem and the machine will still function normally.

9. On-A-Roll Lifter® Lift Pump Repair

1. Place protection material on the floor e.g. cardboard, to protect the floor from oil dropping.
2. Very carefully, lay the lifter in a horizontal position as shown:



3. There are 6 points marked A, B, C, D, E in the next illustration. Identify the point of leakage and follow instructions.



Foster reserves the right to change designs, specifications and parts without notice.

9. On-A-Roll Lifter® Lift Pump Repair

Point A

1. Unscrew the screw, part # 63028.
2. Remove the seal (63029), rubber screw (63030), coned spring (63031) and Pin (63032).
3. Inspect the parts if they are broken or worn out.
4. Replace the appropriate parts or all the parts and insert the parts as shown in the previous diagram.

Point B

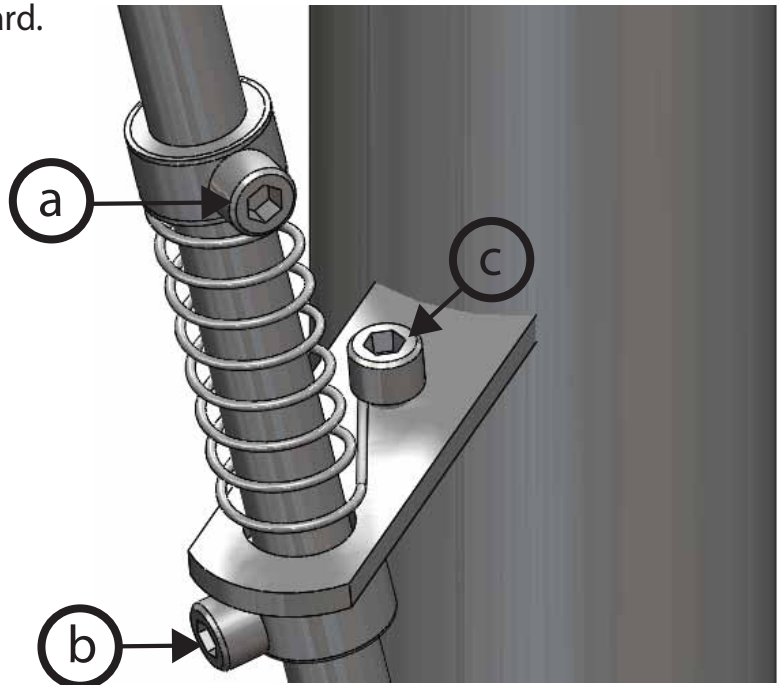
1. Unscrew the screw, part # 63024.
2. Remove the seal (63025), coned spring (63026) and steel ball (63027).
3. Replace with all NEW parts and insert the parts as shown in the previous diagram.

Point C

1. Unscrew the screw, part # 63024.
2. Remove the seal (63025), coned spring (63026) and steel ball (63027).
3. Replace with all NEW parts and insert the parts as shown in the above diagram.

Point D

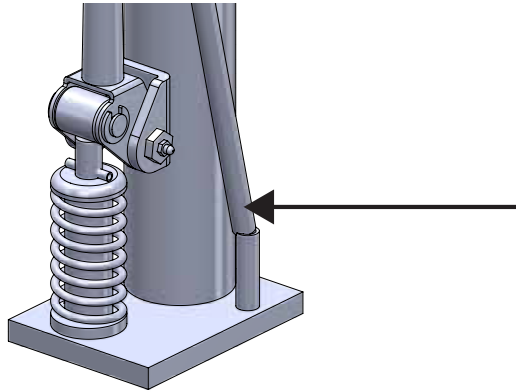
1. Make sure the On-A-Roll Lifter® is in the normal position.
2. Loosen screw (a), remove screw (b) and slide spring sideward.
3. Loosen screw (c) and slide it sideward.



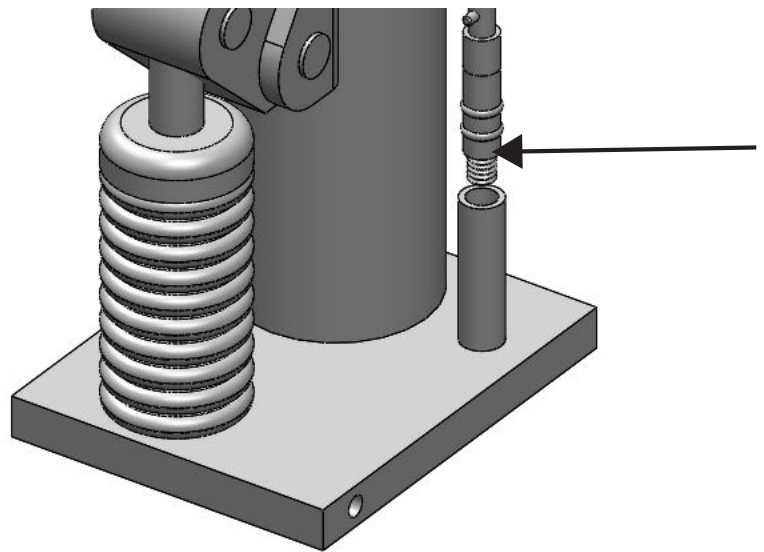
9. On-A-Roll Lifter® Lift Pump Repair

Point D

4. Remove metal rod.



5. Unscrew valve core and replace the 2 rubber rings, Part 63064.



6. Reassemble the release valve.

Point E

1. Remove 1 of the retaining pins on the hydraulic pump foot pin.
2. Remove the hydraulic pump foot pin.
3. Remove the piston rod and inspect the parts if they are broken or worn out.
4. Replace the appropriate parts or all the parts and insert the parts as shown in the previous diagram.

