

# FSK250

## FREE STANDING KIT FOR THE STEELTRAK 250

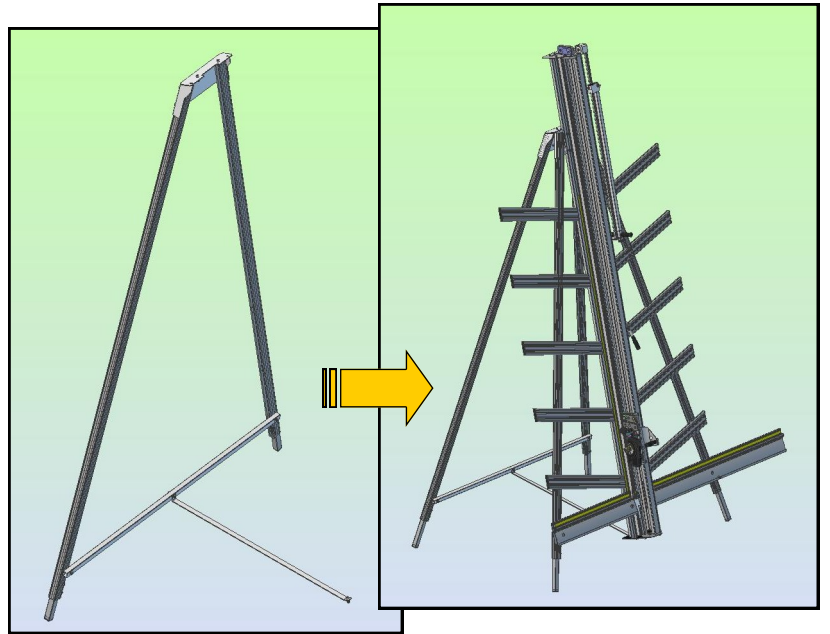
### ASSEMBLY & FITTING INSTRUCTIONS



**PLEASE NOTE:-**  
The FSK250 Free Standing Kit will only fit the SteelTrak 250.

The safest way to install the Free Standing Kit is to assemble it and fit it to the back of the SteelTrak whilst it is laying on supports on its front face. The SteelTrak and the Free Standing Kit are then tilted up to its vertical position. If a suitable lifting aid is not available it is recommended that at least three suitably able bodied people are used for both lowering it onto the supports and tilting it back to vertical.

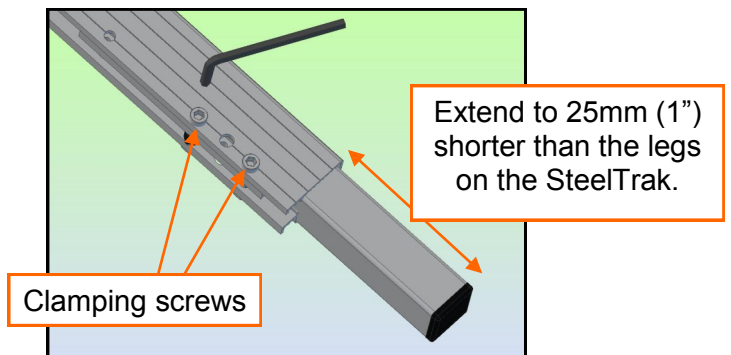
Please read the instructions fully before starting assembly.



There are two packages, the smaller one contains the Top Bracket and the Legs and other components are in the larger box.

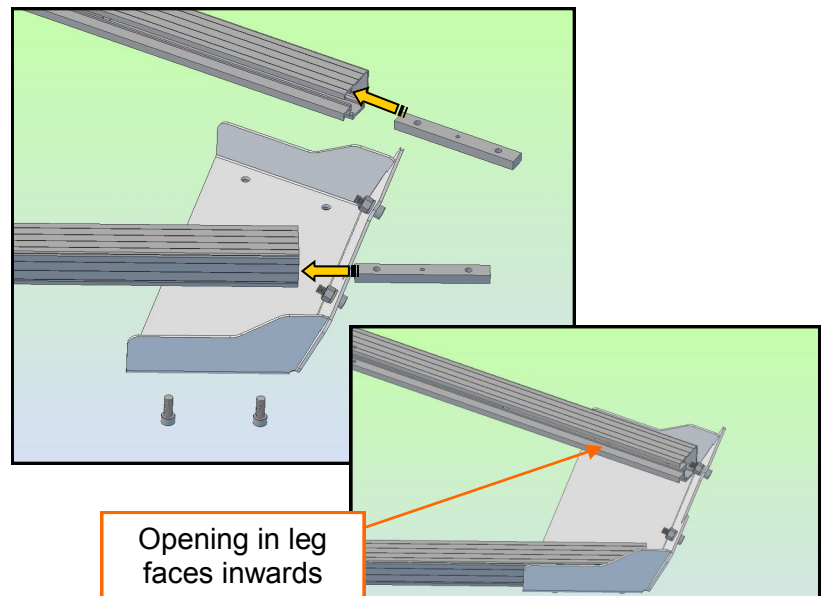
Extend the telescopic legs so they are both 25mm (1") shorter than the leg extension on the SteelTrak.

Use a 5mm Allen key, loosen both clamping screws, extend the leg and retighten the screws fully.



Remove the two screws and fixing block from the top of each leg using a 6mm Allen key.

Attach both legs to the bracket but do not fully tighten the screws at this stage.

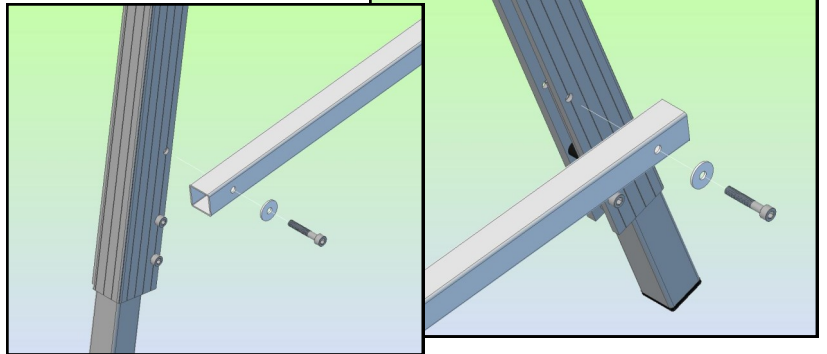
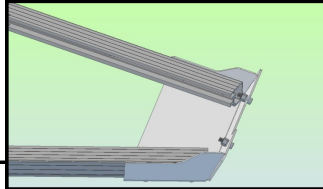


# FSK250 — FREE STANDING KIT FOR THE STEELTRAK 250

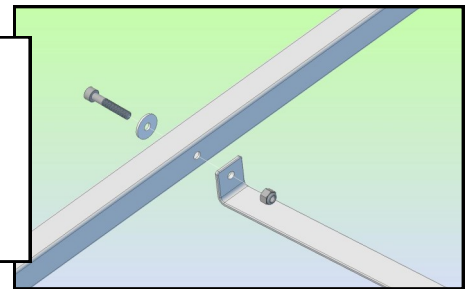
**KEENCUT**

Fit the Cross Bar and tighten in position with a 5mm Allen key.

Now fully tighten the two screws fixing each leg to the Top Bracket with a 6mm Allen key.



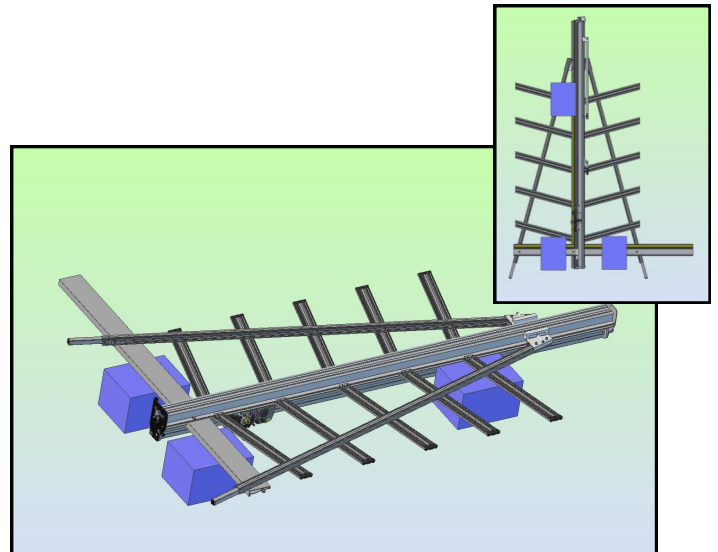
Fix the end of the Stay to the middle of the Cross Bar using a 5mm Allen key and 10mm spanner (wrench).



**NOTE:-** The images show a machine with the Support Arms fitted, this is not essential when fitting the Free Standing Kit to a new machine, the Support Arms can be fitted after.

The SteelTrak now needs to be placed on its front face being supported by three wooden blocks or heavy duty boxes/crates that are a minimum of 25cm (10") high.

Position two blocks under the Squaring Arm whilst in a vertical position (ideally leaning against a wall) tilt the SteelTrak forward and place the third block in position as shown.



Attach the assembled free standing kit to the back of the machine.

Fit the top bracket to the two blocks using a 6mm Allen key.

The Stay is fastened to the lower end plate of the SteelTrak using the fixings provided.

Do a final check to make sure all the screws and nuts on the free standing kit are tight.

Lift the top end of the machine up and tilt it back to its vertical position. If a suitable lifting aid is not available it is recommended that at least three suitably able bodied people are used for tilting it back to vertical.

