

# Cutter Stand

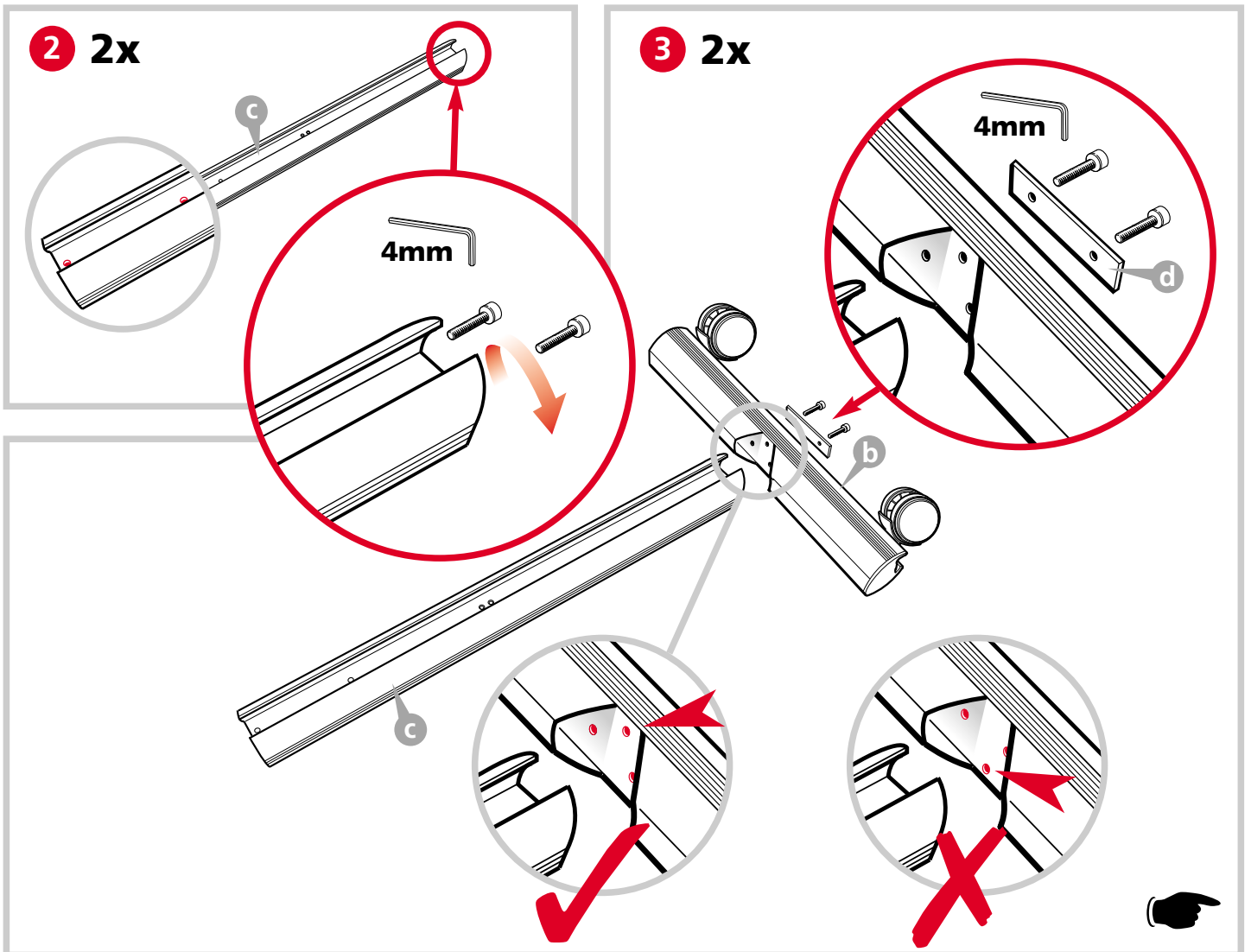
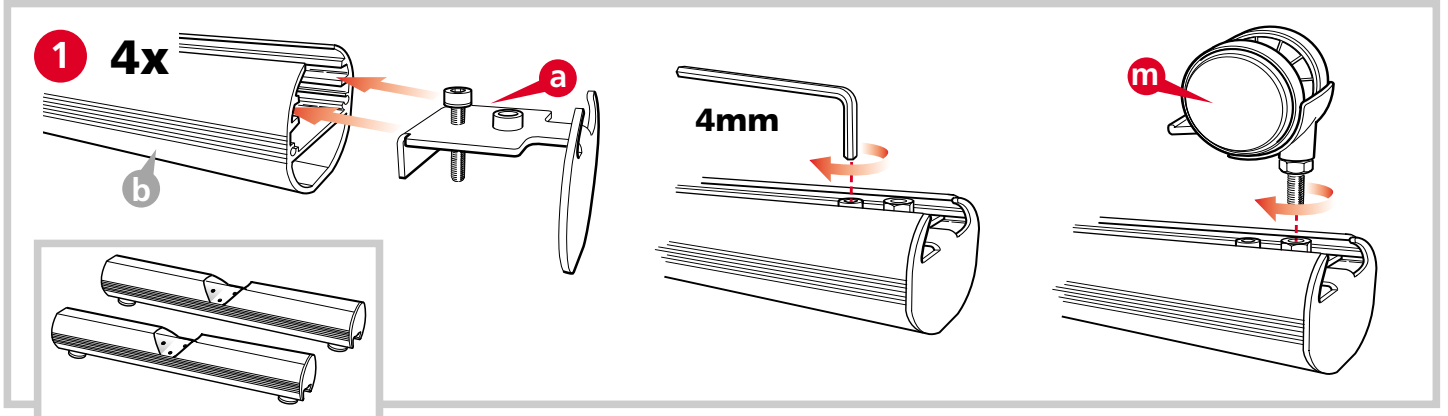
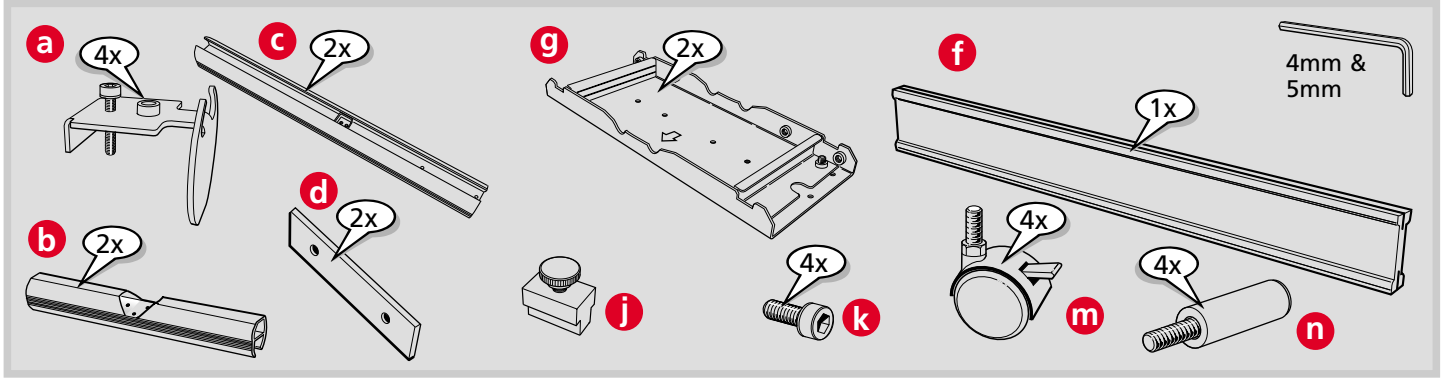
*Inspired Design – Precision Engineering*

## ASSEMBLY INSTRUCTIONS

Thank you for choosing the Keencut Cutter Stand. Every effort has been made to bring you a precision engineered product with the promise of many years of valuable service.

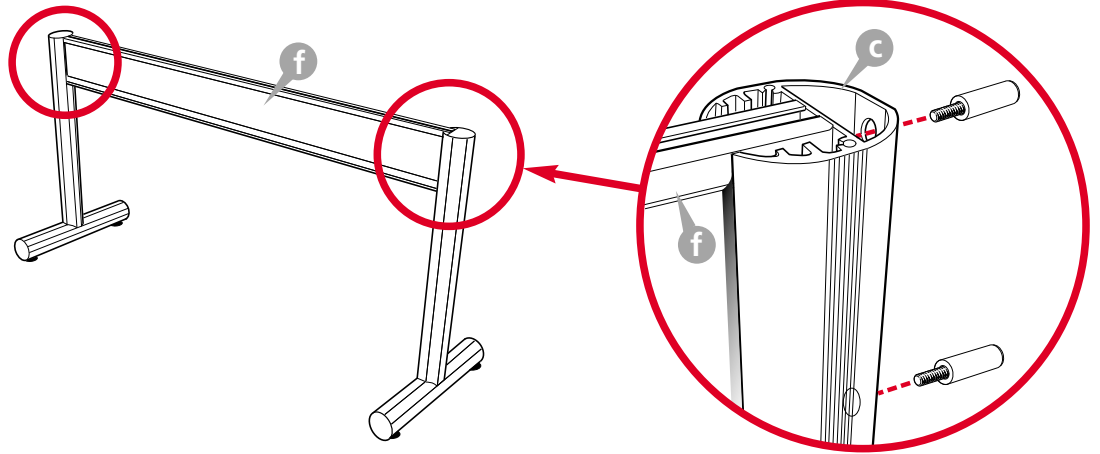


**CUTTER STAND**  
with Optional ROLL FEED & WASTE CATCHER



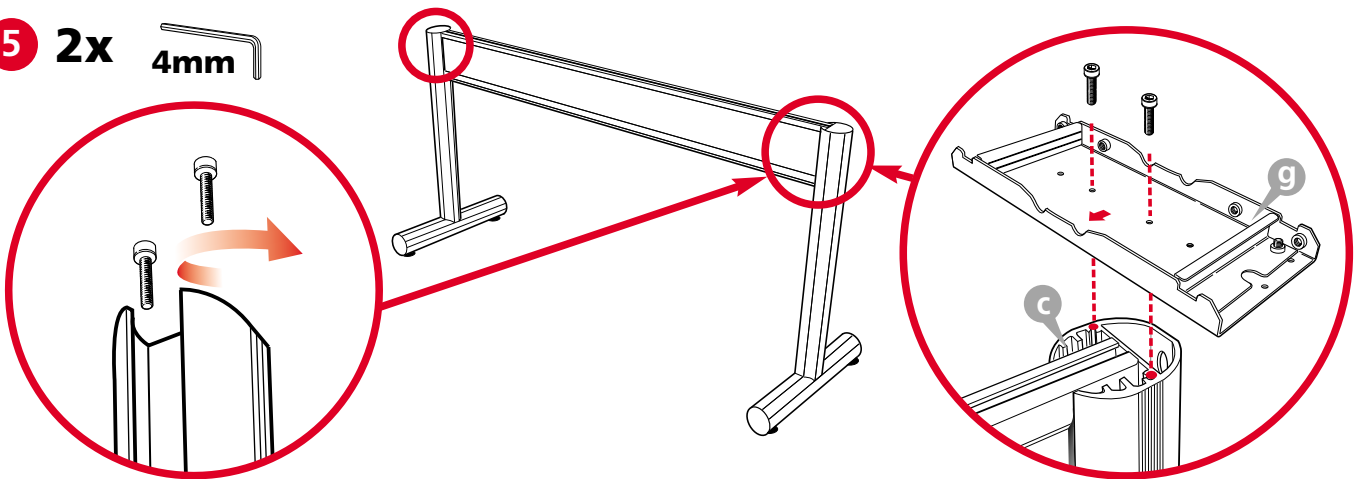
**4** 2x

4mm

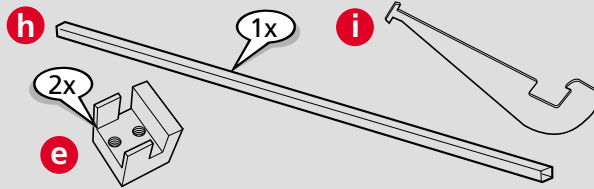


**5** 2x

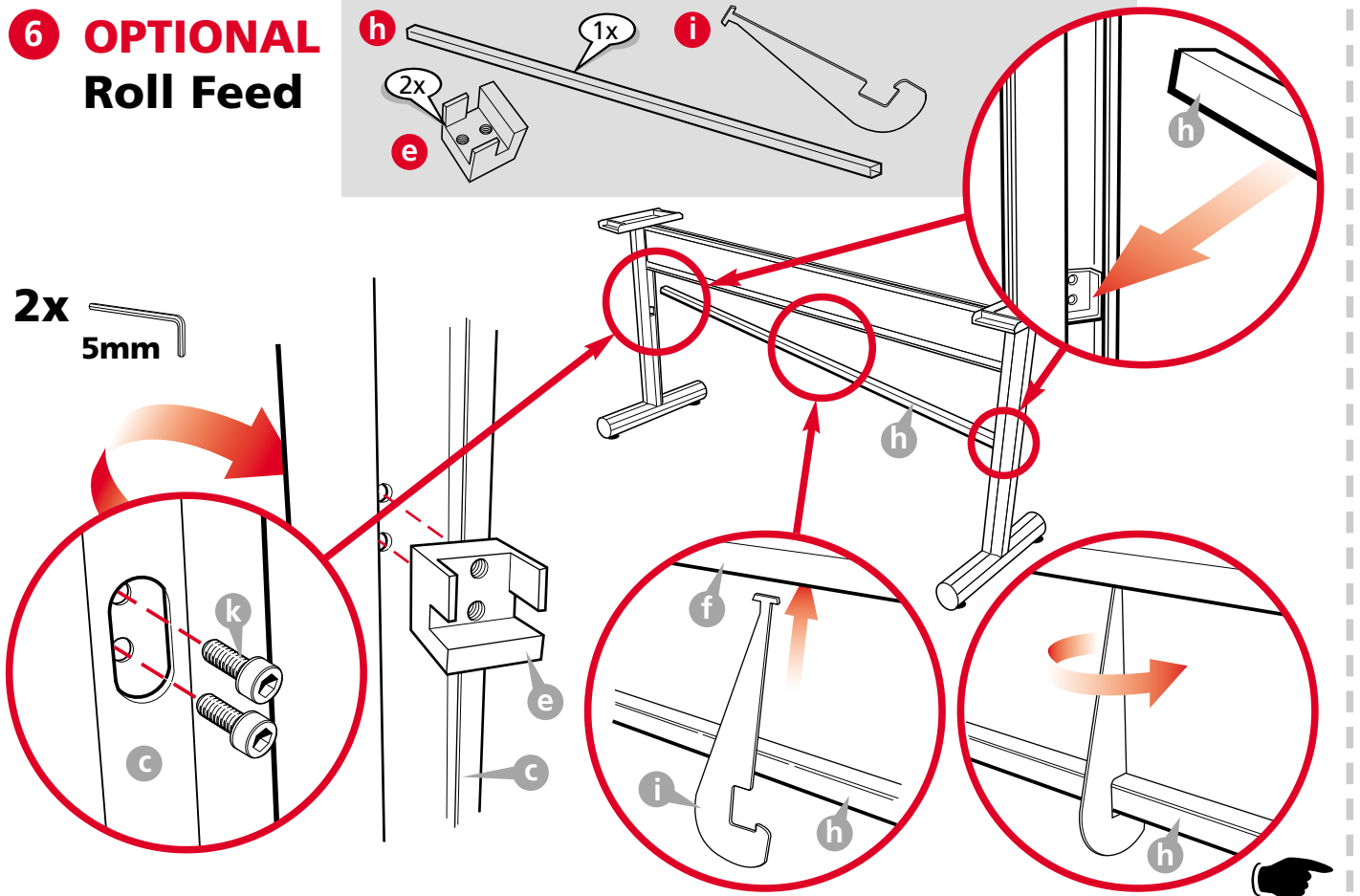
4mm



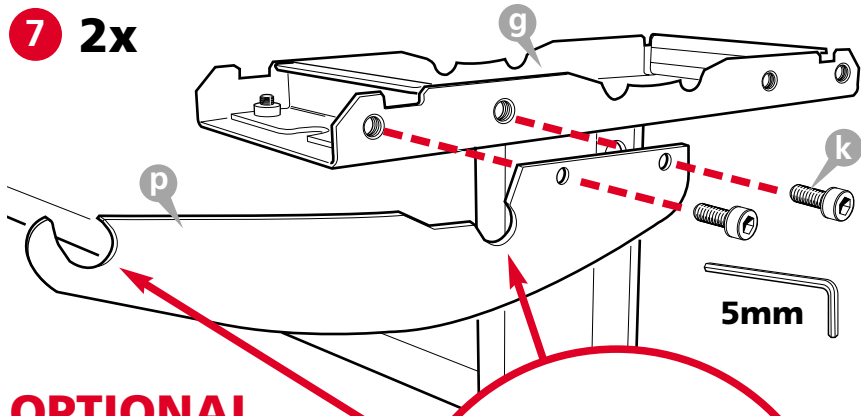
**6** **OPTIONAL**  
**Roll Feed**



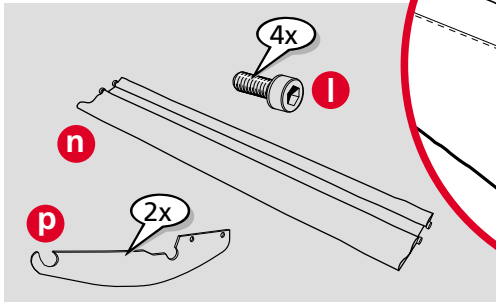
2x  
5mm



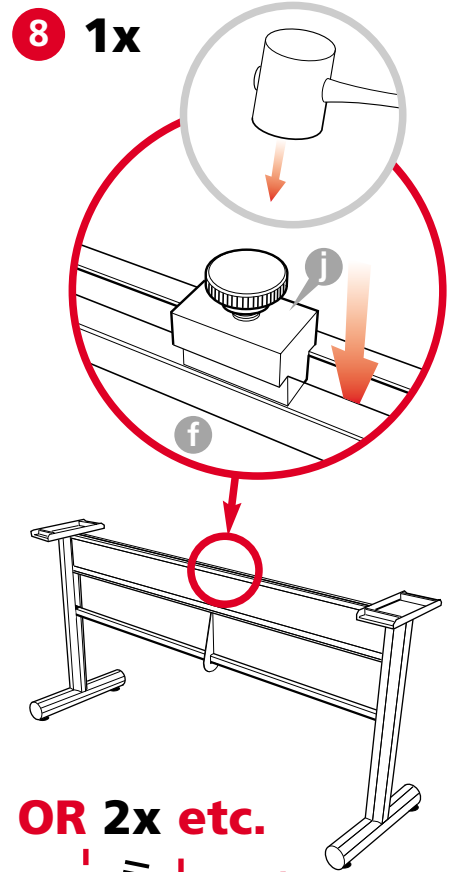
**7 2x**



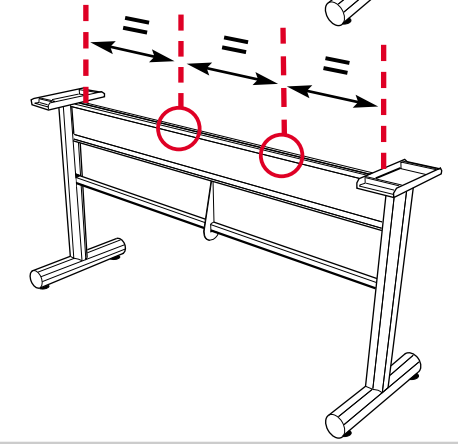
**OPTIONAL Waste Catcher**



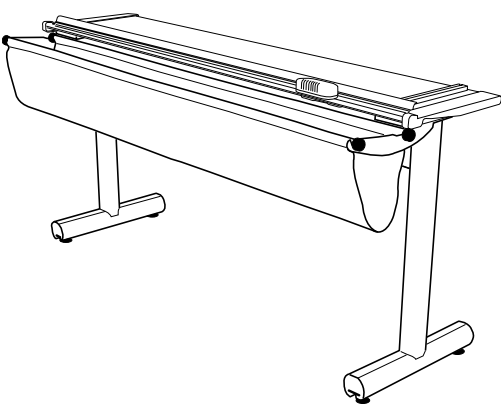
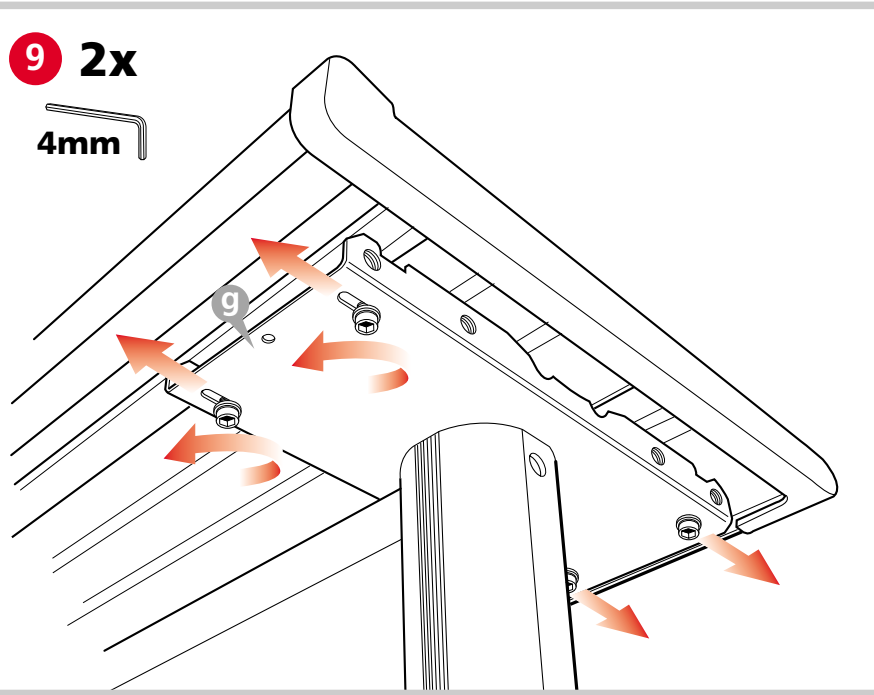
**8 1x**



**OR 2x etc.**



**9 2x**



**10 1x or 2x etc.**

