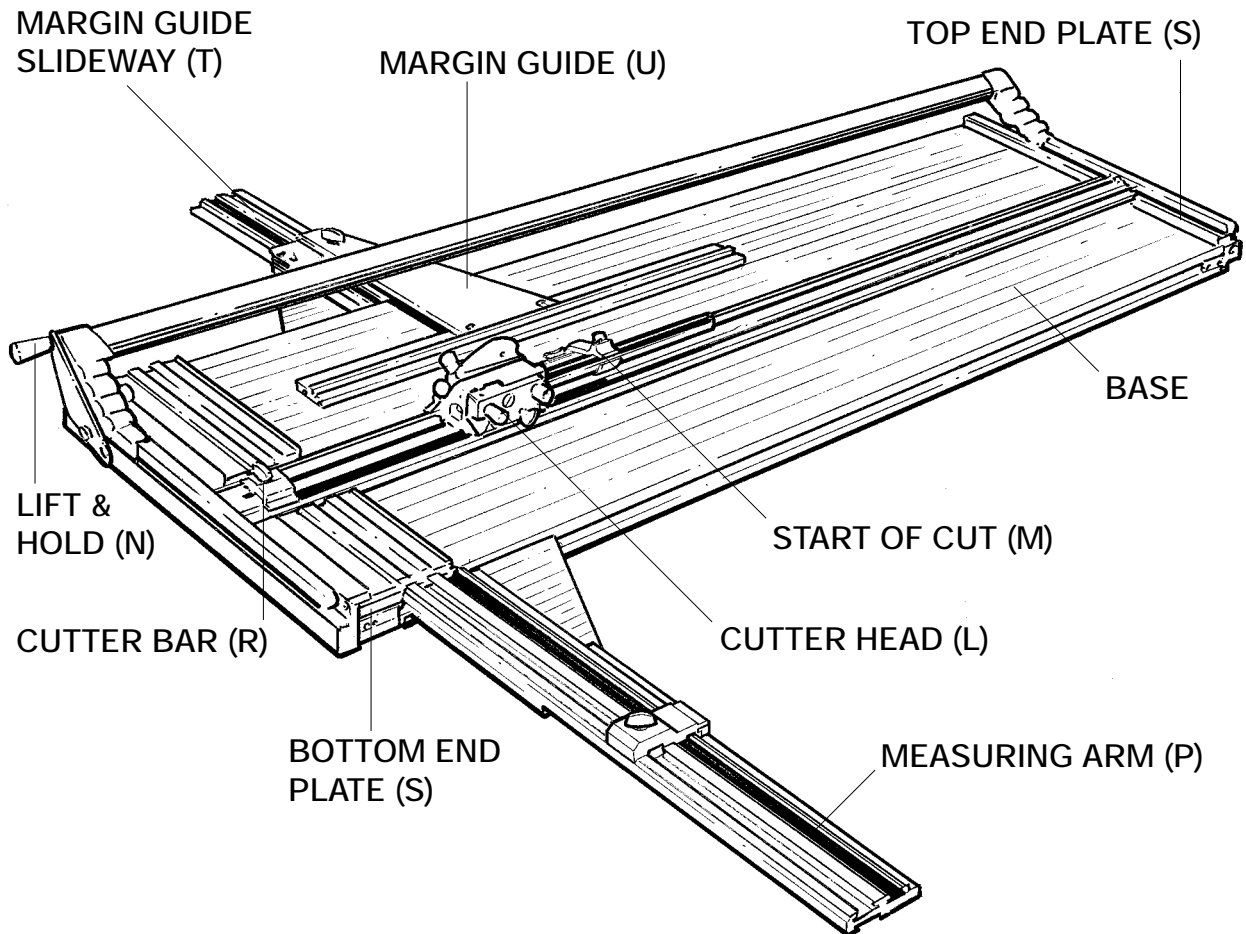


**KEENCUT**

# ULTIMAT

## SPARE PART LISTINGS

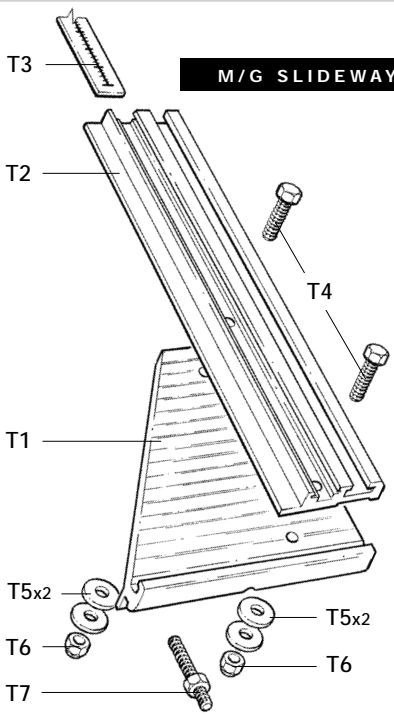


**KEENCUT**

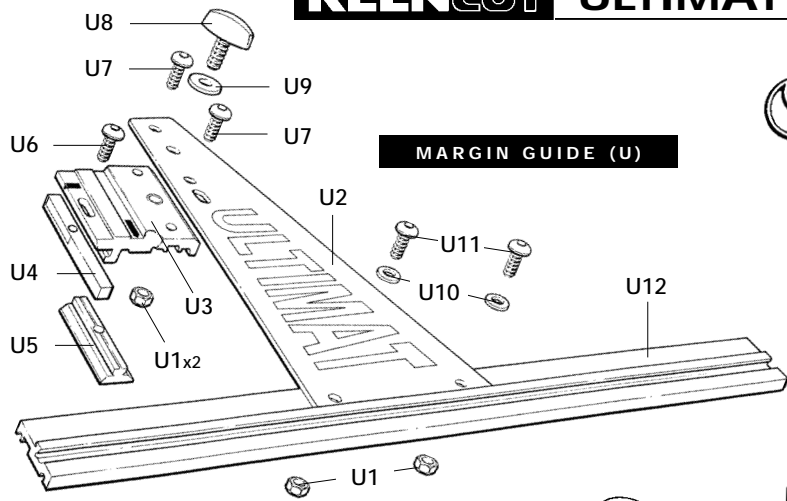
THE WORLD'S FINEST CUTTING MACHINES

# KEENCUT ULTIMAT

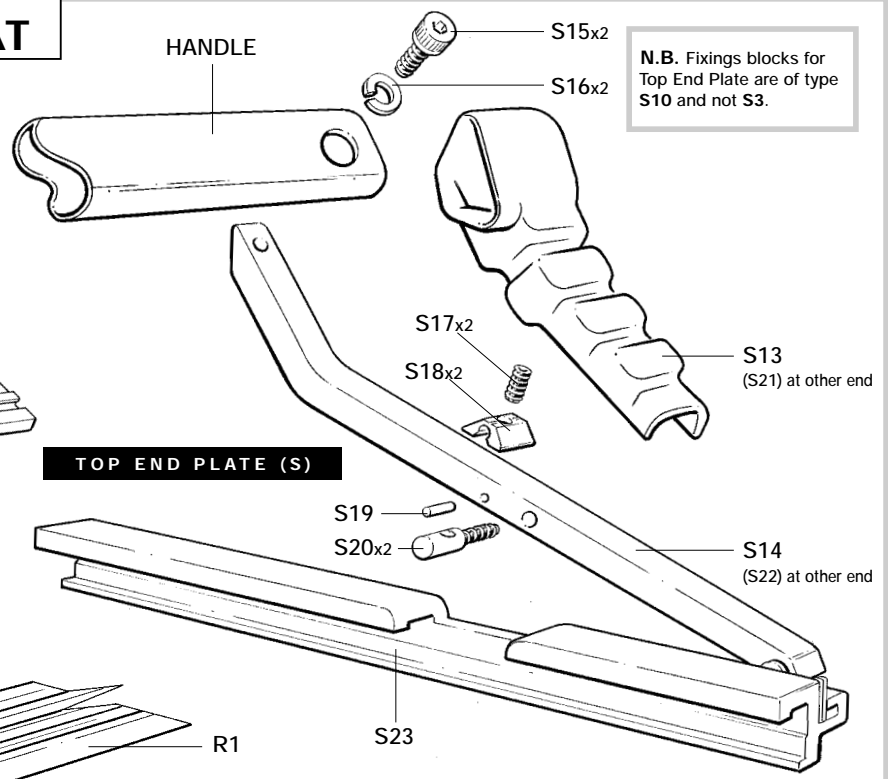
## M/G SLIDWAY (T)



## MARGIN GUIDE (U)

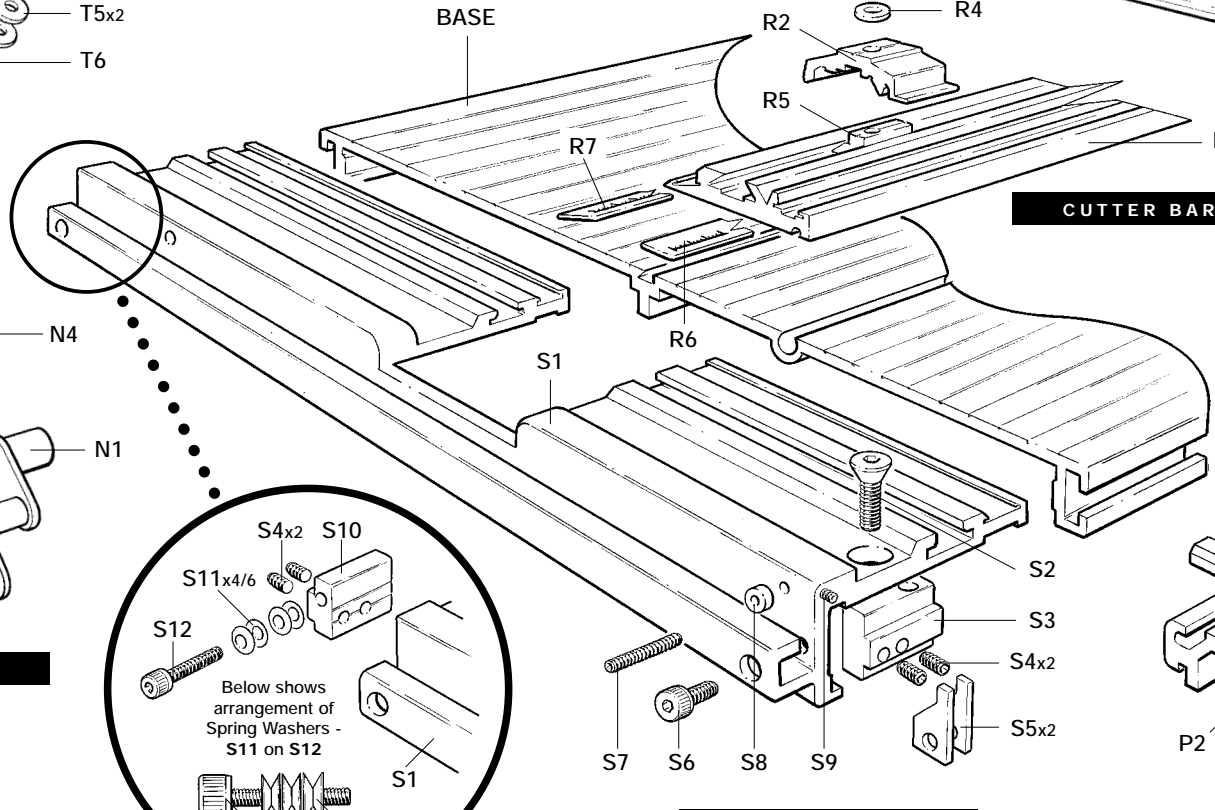


## TOP END PLATE (S)

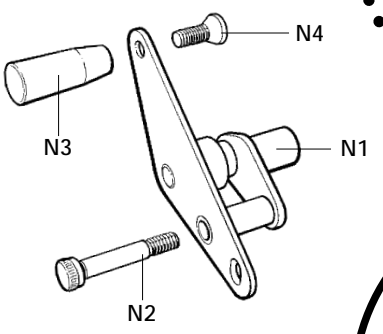


N.B. Fixings blocks for Top End Plate are of type S10 and not S3.

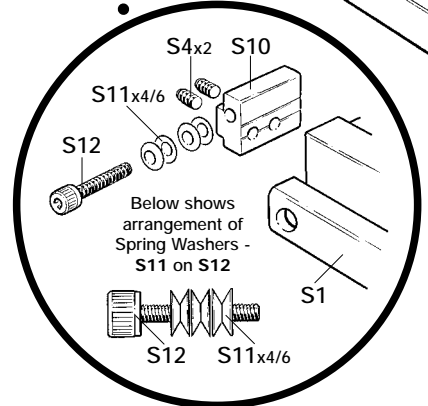
## BASE



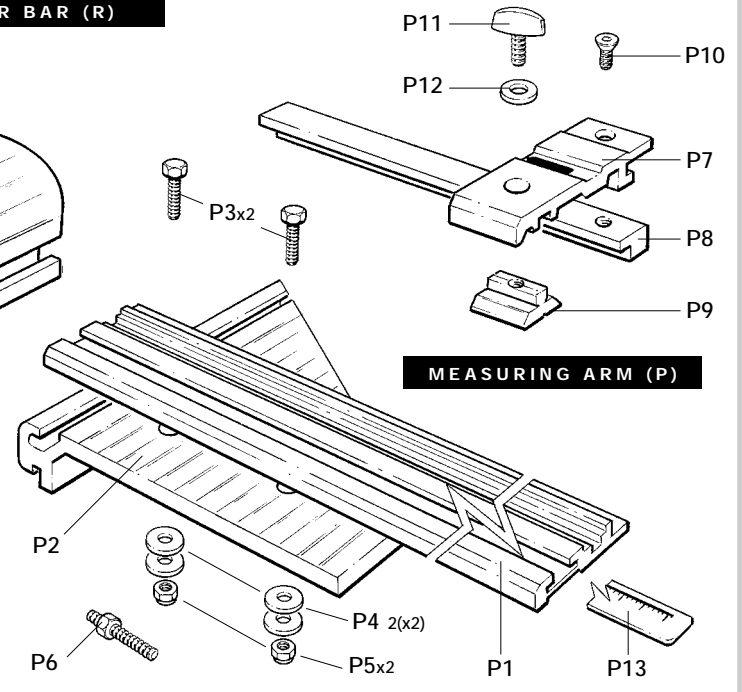
## CUTTER BAR (R)



## LIFT & HOLD (N)

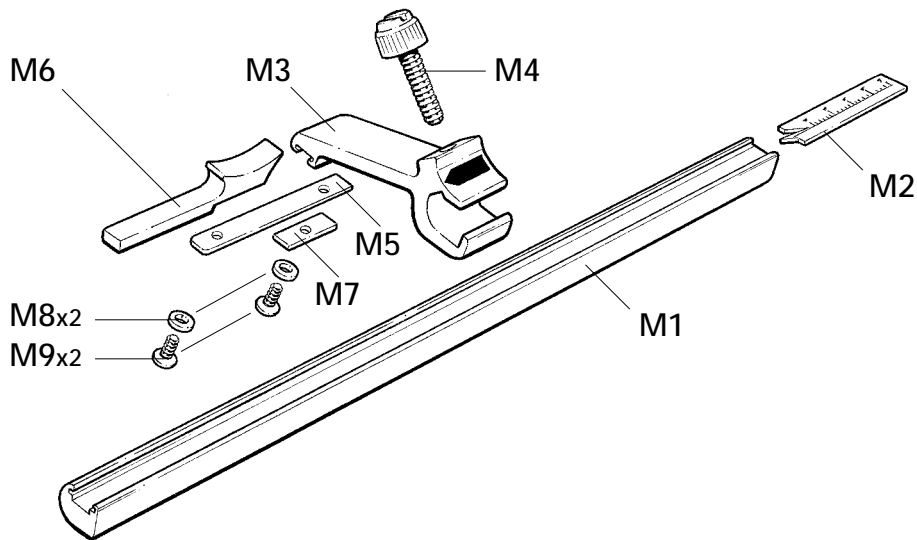


## BOTTOM END PLATE (S)

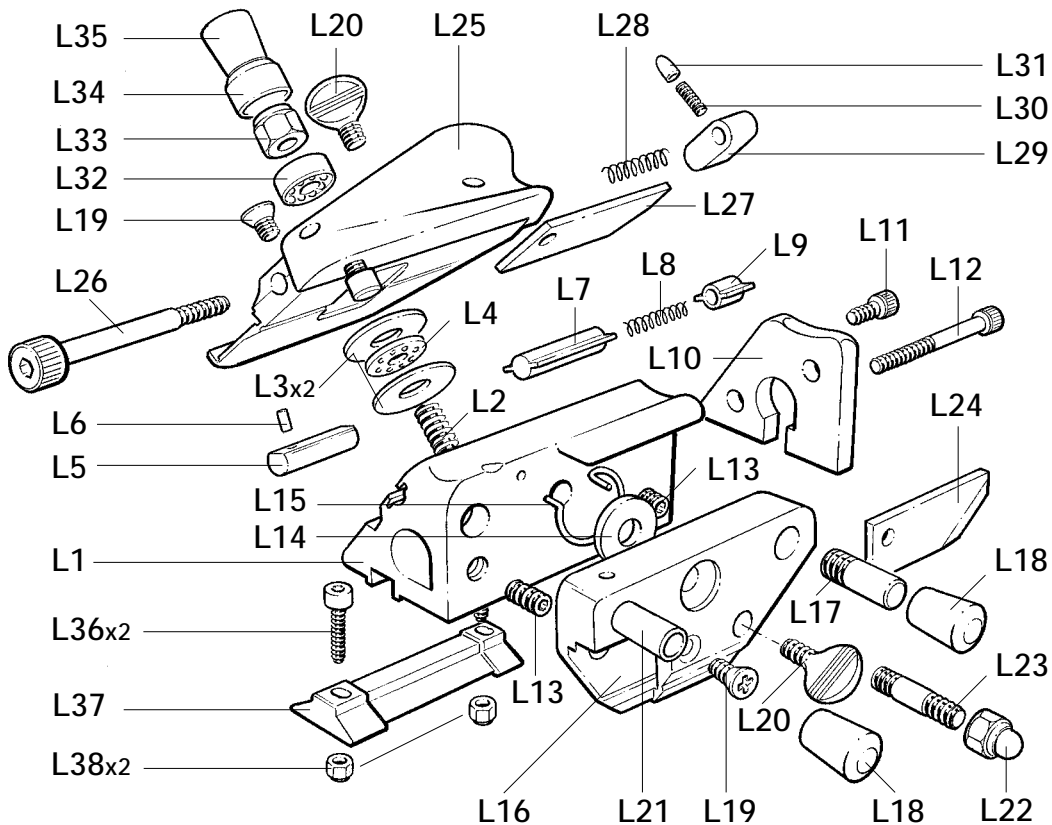


## MEASURING ARM (P)

## START OF CUT (M)



## CUTTER HEAD (L)



Produced by The Creative Workshop, all rights reserved. All information contained in this leaflet, or parts thereof, may not be reproduced in any form without permission of KEENCUT LIMITED.

# ULTIMAT

**KEENCUT**

THE WORLD'S FINEST CUTTING MACHINES

KEENCUT LIMITED,  
Tyson Courtyard, Weldon South Industrial Estate, Corby,  
Northants, ENGLAND NN18 8AZ.  
TELEPHONE: 01536 263158 FAX: 01536 204227

KEENCUT INC. (North American Sales)  
3560 Pine Grove Ave. #366 Port Huron, Michigan, 48060  
USA.  
Toll Free: 1 800 240 KEEN(5336)  
TELEPHONE: 1(519) 652 0970 FAX: 1(519) 652 0396