

# VERTICAL MULTI-SUBSTRATE CUTTERS

## FOR SIGN MAKERS

### 98" SteelTraK Model # 60383

Vertical cutting length  
of 98" (250cm)



### 82" SteelTraK Model # 60385

Vertical cutting length  
of 82" (210cm)



### 65" SteelTraK Model # 60380

Vertical cutting length  
of 65" (165cm)



For producing a clean finished edge on semi-rigid and rigid materials.

- Robust, reliable, and easy to use
- Turn-and- lock mounting for tools
- Low friction ball bearings on a steel track ensures accuracy
- Same cut line for all tools
- Telescopic legs for customized height
- Full-length, extra grip clamping system

**CUTS ALL THESE  
MATERIALS AND MORE:**

### Twin-Wheel Cutting Head

*Aluminum (0.040")\*  
Aluminum composite  
Mat board  
Polycarbonate*

### Scoring Blade up to 0.25" thick

*Acrylic\*\*  
Plexiglas\*\**

### Utility Blade Up to 0.5"

*Cardboard  
Foam board  
Gatorboard  
Honeycomb board  
Corrugated plastic  
PVC board\*\**

### Tungsten Carbide Wheel up to 1/4" thick (standard on Excalibur 5000 & optional on SteelTraK)

*Glass  
Mirrors*

*\*for SteelTraK with optional  
cutting tools  
\*\*some restrictions may apply  
on the 98" model*

## STEELTRAK ACCESSORIES

### Excalibur 3S Model # 60373

Economically priced but  
provides most of the cutting  
capabilities of the SteelTraK

- Same cut line for all tools
- Full-length, extra grip clamping system
- Vertical cutting length of 63" (160cm)



### V-Groove Cutting Tool

Four Sizes:  
2mm, 3mm, 4mm, 6mm



### Aluminum Twin Wheel Tool Model # 69127



### Free Standing Kit

For 63"/65" Model # 66002  
For 82" Model # 66003  
For 98" Model # 66004

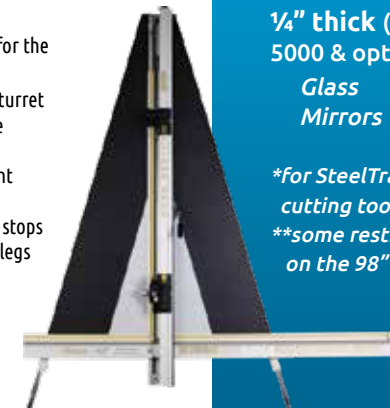


## FOR FRAMERS

### Excalibur 5000 Model # 60376

An advanced vertical cutter for the  
professional picture framer

- Twist and lock rotating turret
- Integral counterbalance
- Full-length clamping
- Telescopic legs for height adjustment
- Easy-to- use production stops
- Cut Size: 63" Telescopic legs



**BEST WARRANTY IN THE BUSINESS! 5 YEAR GENERAL WARRANTY & 20 YEAR WARRANTY ON THE BEARINGS**

# PRECISION CUTTER BARS & WORKBENCHES

## ULTRA-HIGH PRECISION CUTTER BARS

### Evolution-E2 .008" Accuracy



A complete wide format cutting system designed for maximum cutting speed, accuracy, and user convenience

- Vertical cutting action, interchangeable tools
- Concealed cutter hinges leave worktop clear
- Integrated lifters
- Fits any bench
- Five sizes: 64", 84", 104", 124", 144"

### Javelin Series 2 .008" Accuracy



Used as a portable cutter solution or on the mounted optional Big Bench

- Vertical cutting action
- Interchangeable tools
- 5 sizes: 44", 64", 84", 104", 124"

### Javelin Integra .008" Accuracy



A precision cutter with an integrated base and lifting handles

- Fits most benches
- Horizontal cutting action
- Interchangeable tools
- Four sizes: 64", 84", 104", 124"

**CUTS ALL THESE MATERIALS AND MORE:**

**Up to 0.5"**

*Acrylic (up to 0.25",  
scoring & snapping)*

*Banner*

*Cardboard*

*Corrugated plastic*

*Fabric and Textiles*

*Film*

*Foam board*

*Gatorboard*

*Honeycomb board*

*Ink jet media*

*PVC board (10mm)*

*Self-adhesive materials*

*Tissue*

## WORKBENCHES

### Evolution Workbench

Add the E2 Bench for a turnkey professional cutting system



Integrated aluminum base for quick and easy mounting of the Evolution-E2

- 28" and 50.75" Extension kits available

### Big Bench Xtra



Designed specifically for the Javelin Series 2

- Integral lift and hold mechanisms
- Full-length adjustable base with cutting groove

### Proteus Workbench



For use with the Javelin Integra or as a stand-alone bench

### Surface Mounted Lift & Hold Mechanism



For use with the Javelin Series 2

- Turn your table into a precision cutting station

- Quality, precision alloy construction is strong and damage resistant
- Unique proprietary lock provides a rigid structure and extra safety under heavy load

### Ultra High Precision:

*Guaranteed to cut a straight line varying no more than 0.008" over the length of the cutter.*

# Foster

1-800-523-4855 toll-free (USA and Canada only)

1-267-413-6220

[www.go-foster.com](http://www.go-foster.com)

# PRECISION CUTTER BARS & ROTARY TRIMMERS

## HIGH PRECISION CUTTER BARS

### Sabre Series 2 .03" Accuracy



Ideal for both individual jobs and volume production

- Precision cutter mounted on an anodized aluminum base
- Use on a bench or stand
- Interchangeable tools
- 5 sizes: 40", 60", 80", 100", 120"

### Simplex .03" Accuracy



A quality, light weight, general purpose alternative to the Javelin Series 2

- Portable
- Ergonomical rocker-style cutting head
- Five sizes: 44", 64", 84", 104", 124"

### Precision Safety Straight Edges



Exceptional straightness provides accurate cutting to within 1mm

- Embedded steel edge to resist wear
- Full length curved finger guard
- 9 Imperial sizes: 18", 24", 30", 36", 42", 48", 54", 60", 72"
- 9 Metric sizes (cm): 45, 60, 75, 90, 105, 120, 135, 150, 180

## CUTS ALL THESE MATERIALS AND MORE

### Cutter Bars, Up to 0.5":

*Acrylic (up to 0.25", scoring & snapping)*  
*Banner*  
*Cardboard*  
*Corrugated plastic*  
*Fabric and Textiles\**  
*Film*  
*Foam board*  
*Gatorboard*  
*Honeycomb board*  
*Ink jet media*  
*PVC board (10mm)*  
*Self-adhesive materials*  
*Tissue*

*\*for Simplex with optional cutting tool*

## ROTARY TRIMMERS

### Advanced Rotary Cutter (ARC)



A scissor-action cutter that cleanly and precisely cuts paper, offset printing plates, thin film, and other delicate materials

- Two-way cutting with twin tungsten steel cutting wheels
- Use on a bench or stand
- 5 sizes: 42", 60", 80", 100", 120"

### Table Edge Trimmer (TE)



When space is at a premium, this mountable rotary cutter option is the perfect solution

- Two-way cutting with twin tungsten steel cutting wheels
- Mount permanently to an existing table
- 5 sizes: 40", 60", 80", 100", 120"

## STANDS

### Stand & Stand Packages



For added convenience and maximum flexibility, combine a Stand or Stand Pack with a compatible Sabre Series 2 Cutter, Advanced Rotary Cutter or Hot Cut System.

- Stand Only- 36"H Steel stand
- Stand Pack- 36"H Steel stand, waste catcher & a roll feeder bar

### ARC & TE:

*Aluminum plate (0.004")*  
*Banner*  
*Card*  
*Digital prints*  
*Film*  
*Floor graphics*  
*Ink jet media*  
*Photo paper*  
*Self-adhesive materials*  
*Tissue paper*  
*Vinyl*

**High Precision: Guaranteed to cut a straight line varying no more than 0.03" over the length of the cutter.**

# FABRIC & SPECIALITY CUTTERS

## FOR FABRIC CUTTING

### Hot Cut System



For accurately cutting and sealing textiles using a hot knife

- Choice of spring loaded holder for either the SSGM HSGM or AZTC hot knife
- Securely holds the hot knife for accurate and safe 90° cutting
- Use on bench or mount to an optional stand
- Three sizes: 36", 75", 115"

### HSGM Heat Knife & Carrier



Fabric graphics cutting and finishing

- Carriers fit all cutter bars
- Blade heat time: 6-8 seconds
- Blade temperature: approx.. 1100°F
- Electrical: uses 120 V, 60 W
- N Blade: Fine Tip
- R Blade: Broad Tip

## FOR PACKAGE PRINTERS

### Futura Safety Flexo Plate Cutter Series 2



For precisely cutting flexo plates and other substrates

- Bevel and vertical cutting with one head
- 5-degree undercut gives tighter joins when fixed onto the cylinder
- Site line strip shows operators exactly where the cut line is
- Five Sizes: 18", 32", 50", 64", 84"

**CUTS ALL THESE MATERIALS AND MORE**

### Hot Cut/Heat Knife:

*Synthetic Fabric  
Webbing  
Ropes (17mm maximum diameter)*

### Futura's, Up to 0.375":

*Banner  
Conservation board  
Corrugated plastic  
Flexo Plates\*\*  
Foam board  
Ink jet media  
Mat board  
Mount board  
Self-adhesive vinyl*

*\*\*with Futura Safety Flexo Plate Cutter Series 2*

## FOR FRAMERS

### Ultimat Futura

A heavy-duty mat cutter for production cutting of both thick conservation board and standard mat board.



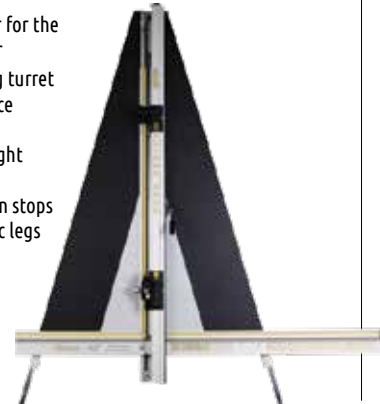
Technically advanced professional mat cutter

- Ball bearing rollers deliver a smooth, precise and ultra low friction sliding action
- Unique microstops for precision adjustment
- Fatigue reducing roller lift & hold
- Three sizes: 40", 48", 60.5"

### Excalibur 5000 Model # 60376

An advanced vertical cutter for the professional picture framer

- Twist and lock rotating turret
- Integral counterbalance
- Full-length clamping
- Telescopic legs for height adjustment
- Easy-to-use production stops
- Cut Size: 63" Telescopic legs



# Foster

## KEENCUT

To locate a Foster dealer closest to you, call or e-mail us: [information@go-foster.com](mailto:information@go-foster.com)

1-800-523-4855 toll-free (USA and Canada only)  
1-267-413-6220  
[www.go-foster.com](http://www.go-foster.com)

Follow Foster Online



**BEST WARRANTY IN THE BUSINESS! 5 YEAR GENERAL WARRANTY & 20 YEAR WARRANTY ON THE BEARINGS**