



NEW

All-A-Board Lifter®

Board Transport & Loading Made Easy

The All-A-Board Lifter® reduces the risk of injury to your operators and damage to valuable rigid substrates. One operator can easily transport and lift up to 500 lbs. of 4' x 10' media. Load boards stored on skids onto the All-A-Board Lifter® in the vertical position, then maneuver them through doorways and narrow aisles right up to your flatbed printer or cutter. The top rotates and locks into a flat position to feed boards into the printer or cutter one sheet at a time.



Quickly load a 6" stack of boards.

What customers are saying:

"The All-A-Board Lifter® is like having is an extra person on the job. What a tremendous help this is - especially when our skilled staff is limited and we really need an extra hand. Since we work in such a confined space, the ability to flip the All-A-Board Lifter® vertically to move it through aisles to the printer or finishing department, then rotate it flat, makes lifting so much easier. The All-A-Board also eliminates the strain of lifting sheets from the pallet. It doubles as a transport device as well as a worktable. It's super light and moves like a dream. We need to order more!"

- Eric Berger, President, Color Reflections Philadelphia, PA



Rotate and lock top into a flat position.

Available in 5 heights (34" to 42") to fit your printers and cutters.

Model #	Description
61600.....	All-A-Board Lifter® 34" Height
61602.....	All-A-Board Lifter® 36" Height
61604.....	All-A-Board Lifter® 38" Height
61606.....	All-A-Board Lifter® 40" Height
61608.....	All-A-Board Lifter® 42" Height

You are our #1 priority

Foster sells through a network of local dealers who can provide you with competitive pricing. Contact us today with any questions regarding your application for the All-A-Board Lifter.®



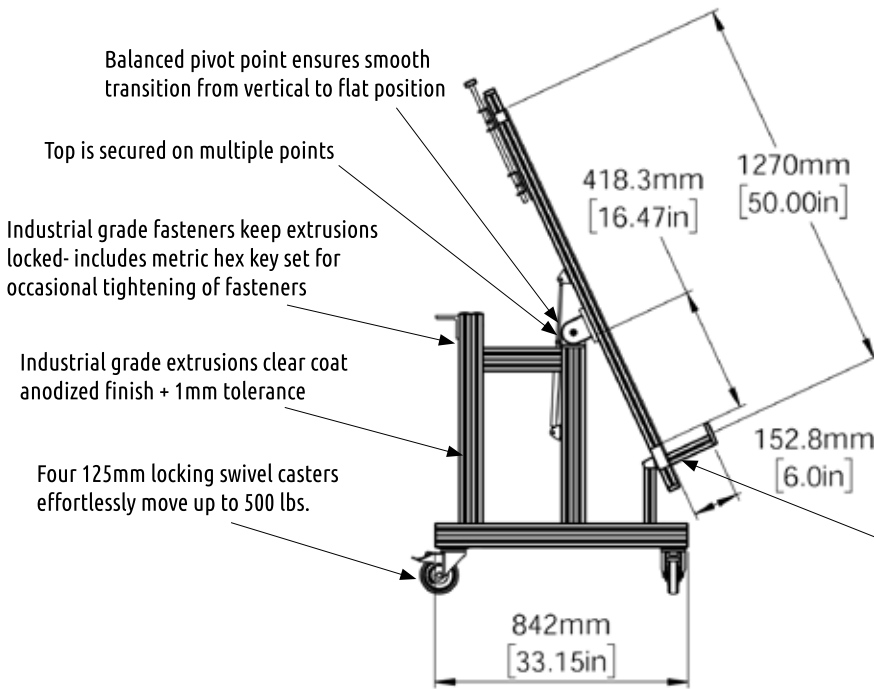
Operator can quickly and safely load boards onto printers and cutters.

Ships assembled with Trespa® top & crate FOB Montgomeryville, PA 18936. Custom designs and sizes welcomed.



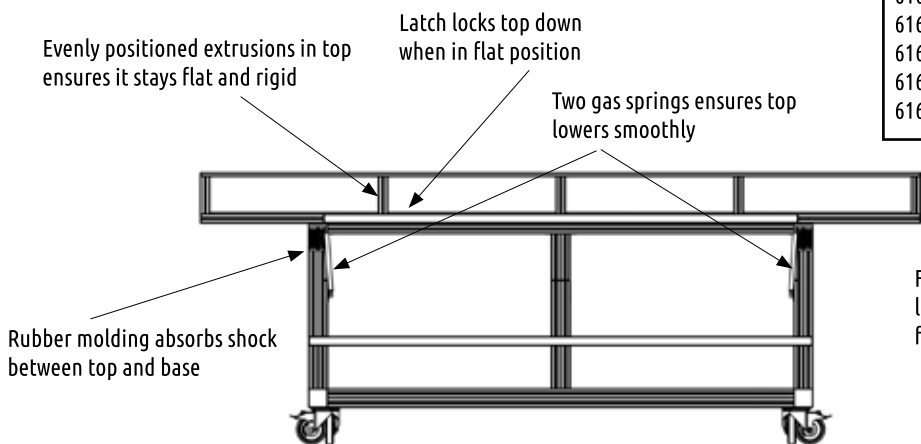
UNIQUE DESIGN FEATURES OF THE ALL-A-BOARD LIFTER®

SWIFTLY AND SAFELY TRANSPORT AND LOAD BOARDS



Vertical Position Overall Dimensions

Model #	Table Height	Overall Size
61600	34"	120"L x 51.57"W x 61.07"H
61602	36"	120"L x 51.57"W x 63.07"H
61604	38"	120"L x 51.57"W x 65.07"H
61606	40"	120"L x 51.57"W x 67.07"H
61608	42"	120"L x 51.57"W x 69.07"H



Horizontal Position Overall Dimensions

Model #	Table Height	Overall Size
61600	34"	120"L x 51.57"W x 40.07"H
61602	36"	120"L x 51.57"W x 42.07"H
61604	38"	120"L x 51.57"W x 44.07"H
61606	40"	120"L x 51.57"W x 46.07"H
61608	42"	120"L x 51.57"W x 48.07"H

Pricing available through your local Foster dealer.
 Warranty: One year on gas springs, casters and catches