

Foster

ON-A-ROLL LIFTER® NARROW WEB

The On-a-Roll Lifter® Narrow Web for label printers and converters is a motorized lifter for quick, safe positioning and loading of narrow web rolls. User-friendly operation avoids costly and dangerous handling mistakes that damage media. One operator can easily lift and lower rolls as heavy as 440 lbs (200 kg) and diameters as great as 31.5 inches (80 cm). Four swivel casters enable the operator to maneuver rolls around corners and tight spaces.



IMPORTANT FEATURES

- 12V/60 AH DC power to easily lift and lower rolls
- Plugs into standard outlet for quick charging
- Four heavy-duty swivel casters for maneuvering through tight spaces
- Reduces on-the-job injuries and enables all workers to move heavy rolls
- Rugged construction ensures long lifter life
- Single-person operation saves labor and time

MODEL 61576

Roll Weight Capacity.....	200 kg (440 lbs)
Lift Height	126 cm (49.5")
Max. Roll Width	150 cm (59")
Max. Roll Diameter	80 cm (31.5")
Width x Depth.....	80 x 115 cm (31.5" x 45.28")
Height.....	145.6 cm (57.22")
Weight.....	140 kg (309 lbs)
Bottom Fork Clearance	8.5 cm (3.35")
Electric:.....	12V/60AH DC Battery
Charger:	Built-in charger

2-year warranty on hydraulics and media tray. 5-year warranty on cross bars.
1-year warranty under normal use for the battery and electric.

toll free (USA and Canada only) 800.523.4855 or 267.413.6220 • fax 267.413.6227

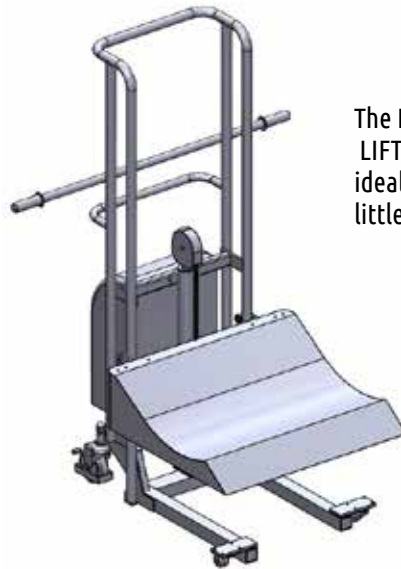
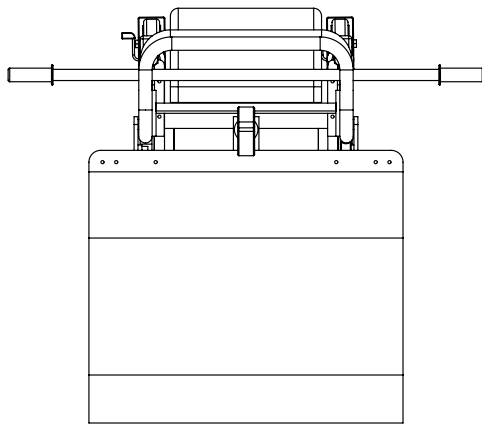
204B Progress Drive, Montgomeryville, PA 18936 USA • information@go-foster.com • www.go-foster.com



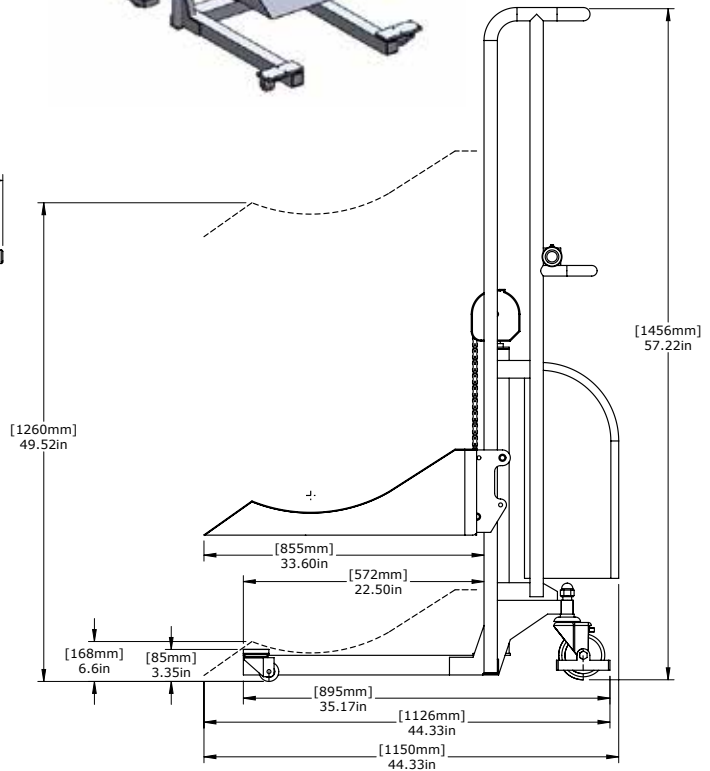
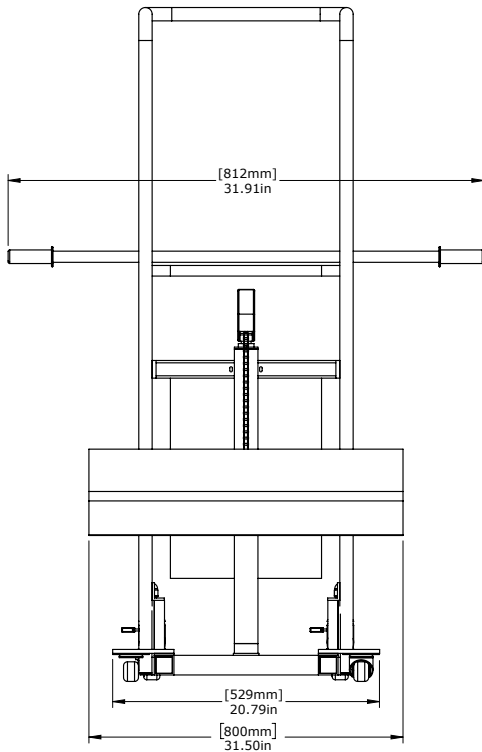
ON-A-ROLL LIFTER® NARROW WEB SPECIFICATIONS 61576

Use the drawings below and the specifications overleaf to ensure the On-a-Roll Lifter® Narrow Web is right for your shop.

- THINGS TO CONSIDER:
- Maximum lift height required
 - Maximum and minimum roll diameter
 - Will any obstructions prohibit moving the lifter close to the receiving machine?
- Still have questions? Call 800.523.4855



The Foster ON-A-ROLL LIFTER® NARROW WEB is ideal for tight areas with little maneuvering room!



toll free (USA and Canada only) 800.523.4855 or 267.413.6220 • fax 267.413.6227

204B Progress Drive, Montgomeryville, PA 18936 USA • information@go-foster.com • www.go-foster.com