

Foster

NEW LIFTER OPTIONS

#63161
Roller
Platform



ON-A-ROLL LIFTER® Standard *and* Standard Plus

Designed specifically for sign makers and other businesses with the need to handle wide or heavy media rolls. It enables users to quickly and effortlessly lift media as heavy as 660 lbs (300 kg) and as wide as 16 feet 5 inches (500 cm), with diameters as great as 15.75 inches (40 cm). The ergonomic pull bar allows users to maneuver around tight corners and through narrow passages.



IMPORTANT FEATURES

- Easy-to-use operation reduces on-the-job injuries
- User-friendly operation avoids costly and dangerous handling mistakes that damage media
- Single-person operation saves labor and time
- Designed to operate even in shops with limited floor space
- Rugged construction ensures long lifter life
- Newly Updated ergonomic pull bar

SPECIFICATIONS

	STANDARD 61584	STANDARD PLUS 61586
Roll Weight Capacity	300 kg (660 lbs)	300 kg (660 lbs)
Max. Lift Height	85 cm (33.5")	85 cm (33.5")
Max. Roll Width	250 cm (8'2")	500 cm (16'5")
Max. Roll Diameter	40 cm (15.75")	40 cm (15.75")
Width x Depth	80 cm x 80 cm (31.5" x 31.5")	120 cm x 80 cm (47.25" x 31.5")
Height	119.4 cm (47")	119.4 cm (47")
Weight	80 kg (177 lbs)	85 kg (188 lb)
Bottom Fork Clearance	10 cm (4")	10 cm (4")
Front Swivel Castors	2.36" ø x 1.57"W	2.36" ø x 1.57"W
Rear Swivel Castors	5" ø x 1.46"W	5" ø x 1.46"W

2-year warranty on all wheels, hydraulics and media tray.
5-year warranty on cross bars.

toll free (USA and Canada only) 800.523.4855 or 267.413.6220 • fax 267.413.6227

204B Progress Drive, Montgomeryville, PA 18936 USA • information@go-foster.com • www.go-foster.com



ON-A-ROLL LIFTER® Standard and Standard Plus SPECIFICATIONS 61584 & 61586

Find the right On-a-Roll Lifter® to fit your printer.

Please use the dimensions below to help you determine which model On-a-Roll Lifter® is the right fit for your printer. Still have questions? Call 800.523.4855.

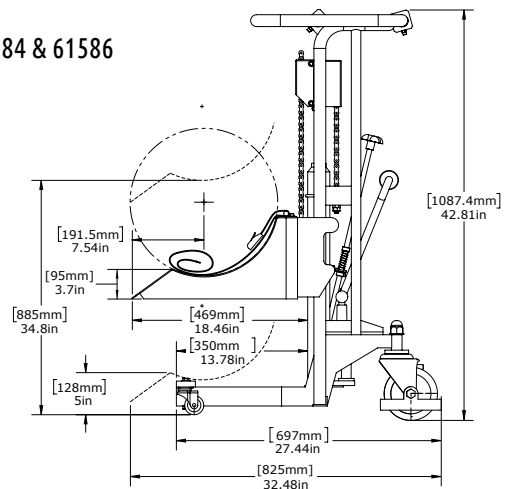
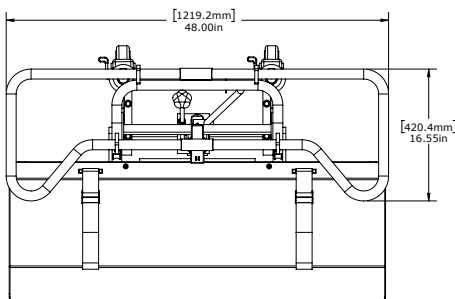


Roll Ramp Tray included for easy loading from the floor and handling wide rolls.

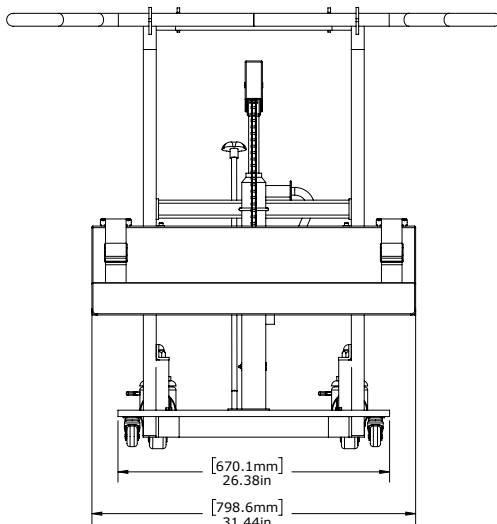


63161 Roller Platform is designed to allow operators to feed rolls into their machines directly from the lifter.

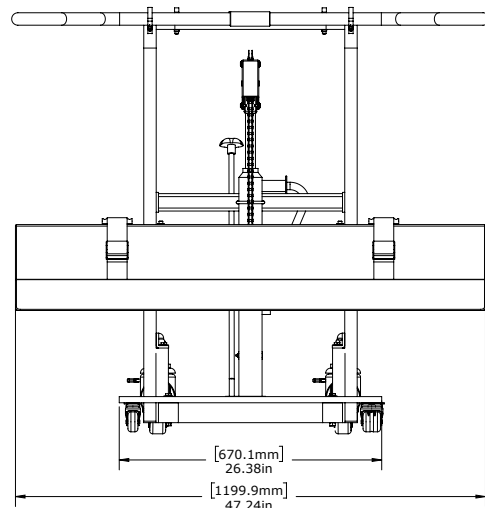
UNIVERSAL FOR 61584 & 61586



SPECIFICATIONS 61584 - STANDARD



SPECIFICATIONS 61586 - STANDARD PLUS



toll free (USA and Canada only) 800.523.4855 or 267.413.6220 • fax 267.413.6227

204B Progress Drive, Montgomeryville, PA 18936 USA • information@go-foster.com • www.go-foster.com