

SteelTrak

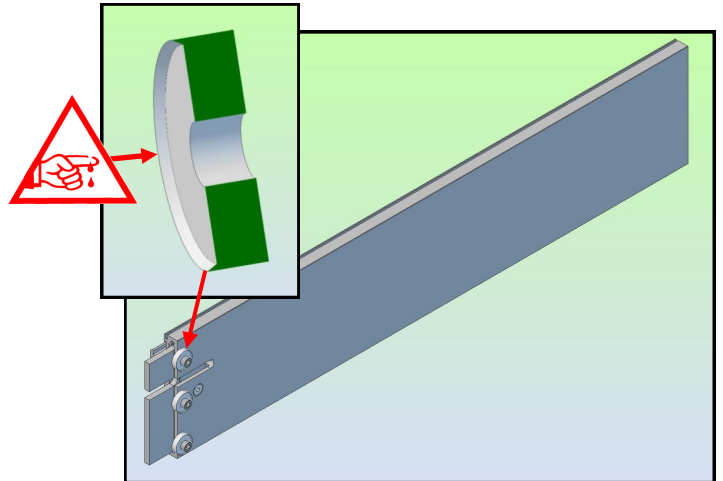
LEFT HAND SQUARING ARM EXTENSION

FITTING INSTRUCTIONS

There are three clamping washers on the back of the extension.

NOTE. One face is flat the other has a sharp edge.

The washers are assembled on the Squaring Arm Extension so that the sharp edge faces out.

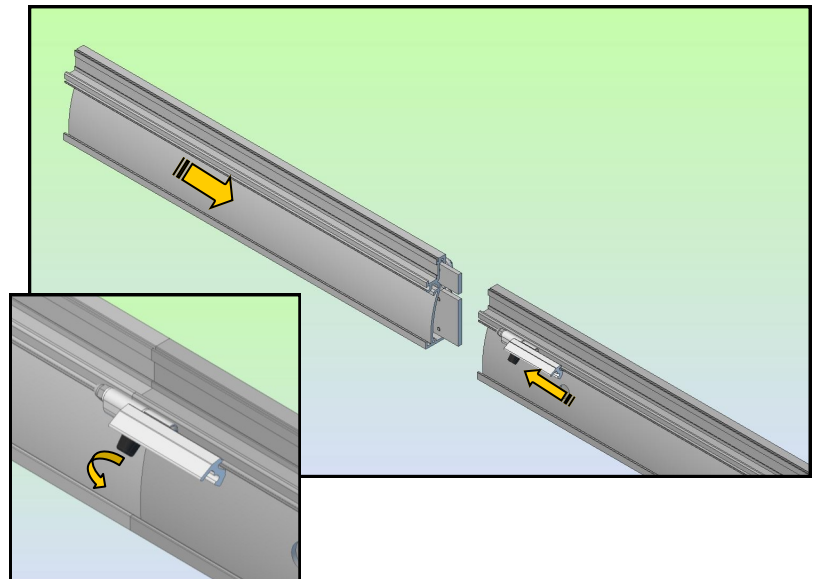


Be careful the edges of the washers are very sharp.

Loosen the three clamping screws and slide the Extension onto the Squaring Arm. Hold them firmly together and slide the measuring stop mid-way across the joint and fasten it in place.

Still supporting the Extension, tighten the three clamping screws.

Using a straight edge in the material channel of the Squaring Arm check that the Extension is perfectly in line. Minor adjustments can be made by loosening the clamping screws, tilting the Extension then retighten the screws.



To grip the Extension firmly in place the clamping washers need to be reversed one at a time so the sharp edge bites into the aluminium surface therefore keying the two parts together.

Remove the lower screw and clamping washer, turn the washer around and clamp it back in position. The clamping screw must be fastened as tight as possible. Repeat with the other two clamping washers.

Finally, double check all three screws are tight.

