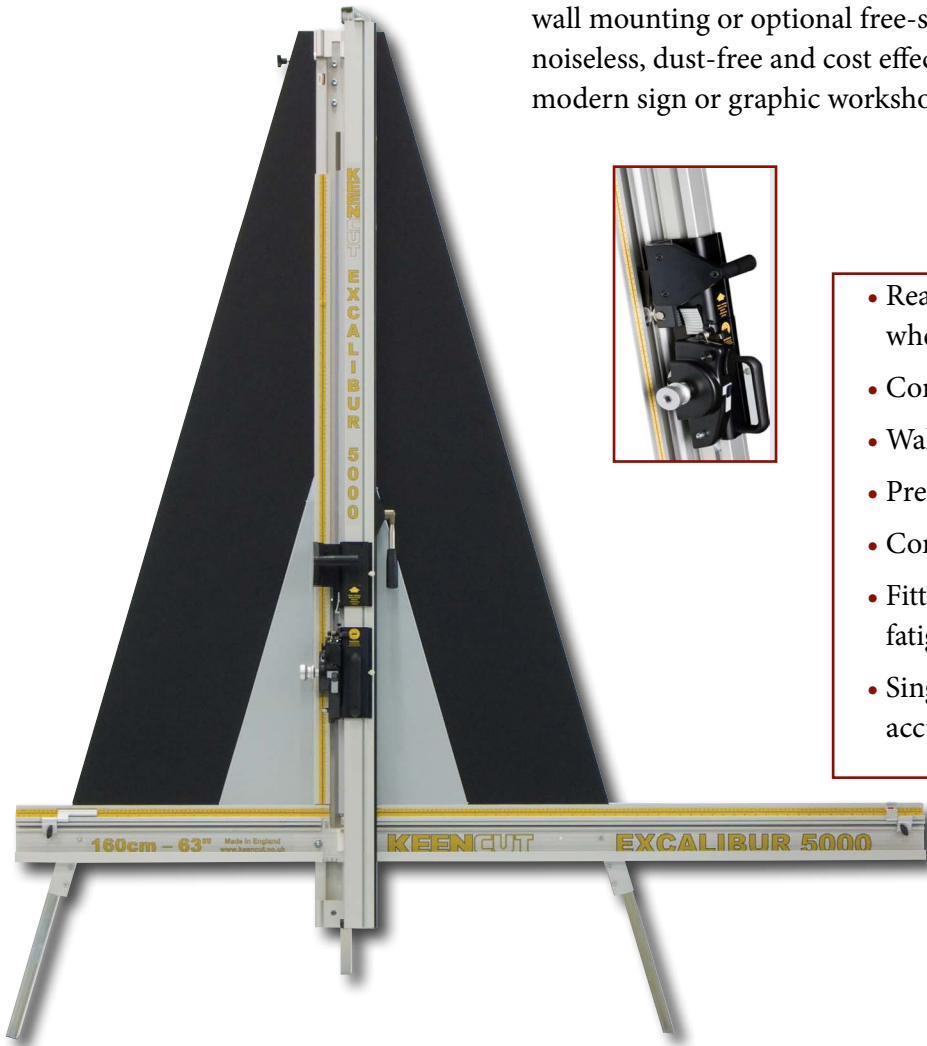


The unique Excalibur 5000 features two cutting heads with four different cutting tools mounted on the same head for instant selection. The counterbalance ensures an easy glide cutting action, prevents damage when loading sheet materials, minimizes operator fatigue and increases production. The top Twin Wheel Cutting Head cuts 1/8" uncoated masonite and mat board. A standard medium duty utility blade accurately cuts Foamboard, Gatorboard, Sintra, corrugated cardboard, honeycomb plastics up to 1/2" thick. The scoring blade is used for acrylics and other rigid plastics. The tungsten carbide cutting wheel scores glass and mirrors up to 1/4" thick.

The unique Excalibur 1000x series vertical cutter features a single sliding counter-balanced head with 3 cutting and scoring tools ready for instant use. With a rigid clamping system, a set-for-life squaring mechanism and the standard wall mounting or optional free-standing kit, the Excalibur 1000X provides a noiseless, dust-free and cost effective cutting solution for materials used in a modern sign or graphic workshop.



- Ready mounted integral tools with rotating wheel for maximum convenience.
- Control for cutting rigid PVC up to 1/2" thick.
- Wall mounting kit included.
- Pressure sensitive clamp.
- Complete set of production stops.
- Fitted counterbalance (Excalibur 5000 only)– less fatigue, accidents & easy loading of materials.
- Single cut line & sightline strip for maximum accuracy with all tools.

Toll Free: 800-523-4855
 Phone: 267-413-6220
 Fax: 267-413-6227
 204B Progress Drive,
 Montgomeryville, PA 18936
 www.go-foster.com

Item #	Description	Item #	Description
60376.....	63" Excalibur 5000	69119.....	Superior quality blades (100)
60364.....	63" Excalibur 1000X	69114.....	Tungsten carbide glass wheel
66002.....	Free standing kit	69125.....	Composite twin-wheel head
69108.....	Medium duty blades (100)	69110.....	Cutting wheels only (2)

5-year general warranty on all parts (except blades, clamping strips and cutting wheels).
 20-year warranty on the bearings used in the cutting head.