

Foster

ON-A-ROLL LIFTER® SPINNER

Need a better way to move heavy media rolls out of inventory and into position for loading and unloading?

The Foster On-a-Roll Spinner makes life easier for operators. When it spins the roll, the centrifugal force locks the roll in place on the differential shaft. For unloading, the roll is spun in the opposite direction and the friction lock releases.



IMPORTANT FEATURES

- Designed for unloading, the roll is spun in the opposite direction to break the friction lock
- Pair of heavy-duty swivel casters with easy step-on locking brake
- Reduces on-the-job injuries and enables all workers to move heavy rolls
- User-friendly operation avoids costly and dangerous handling mistakes that damage media
- Rugged construction ensures long lifter life
- Single-person operation saves labor and time

MODEL 61592

Roll Weight Capacity.....	700 kg (1540 lbs)
Lift Height	865 mm (34")
Front Swivel Castors.....	4" ϕ x 2"W"
Rear Swivel Castors	6" ϕ x 2"W"
Max. Roll Width	155 cm (61")
Max. Roll Diameter	61 cm (24")
Width x Depth.....	700 mm x 1098.3 mm (27.56" x 43.24")
Height.....	112.01 cm (44.1")
Bottom Fork Clearance	15.9 cm (6.3")

2-year warranty on all wheels, hydraulics and media tray.
5-year warranty on cross bars.

toll free (USA and Canada only) 800.523.4855 or 267.413.6220 • fax 267.413.6227

204B Progress Drive, Montgomeryville, PA 18936 USA • information@go-foster.com • www.go-foster.com

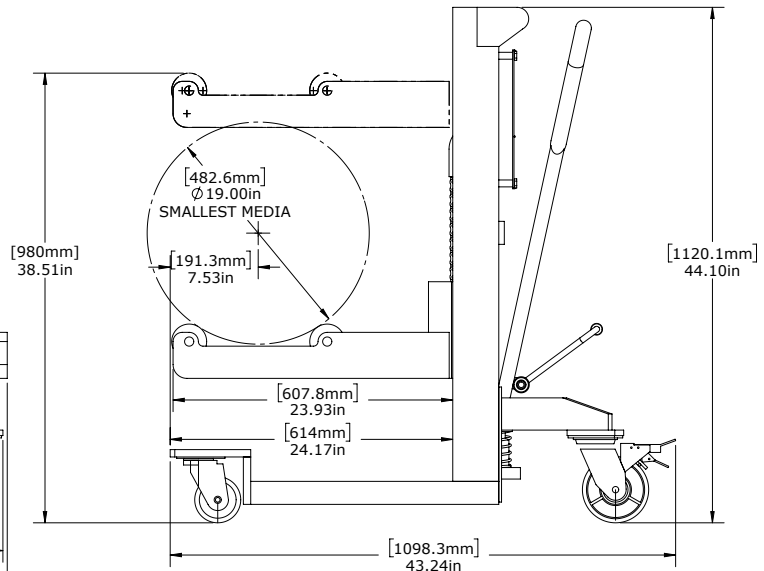
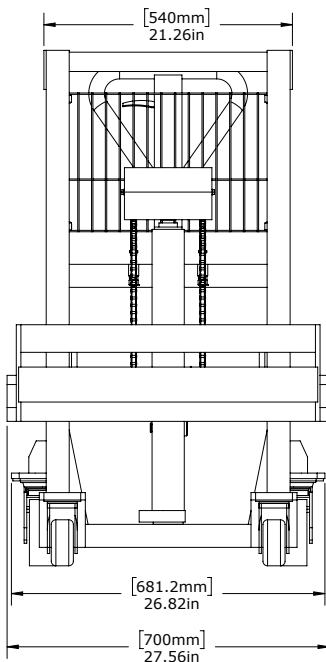
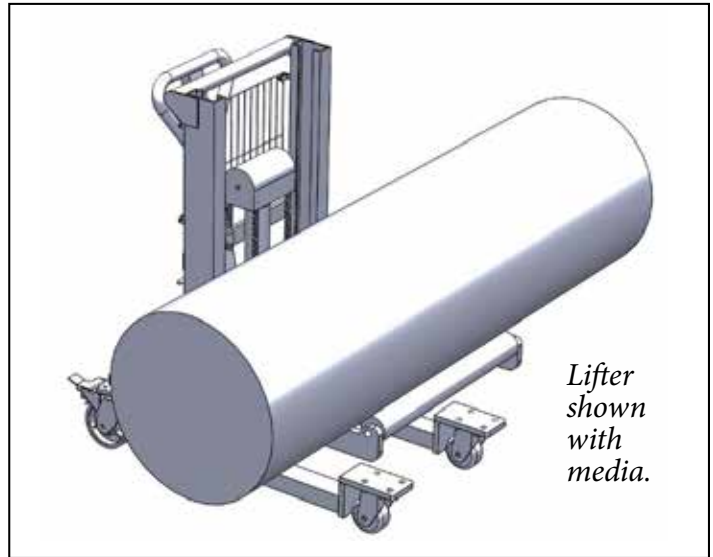
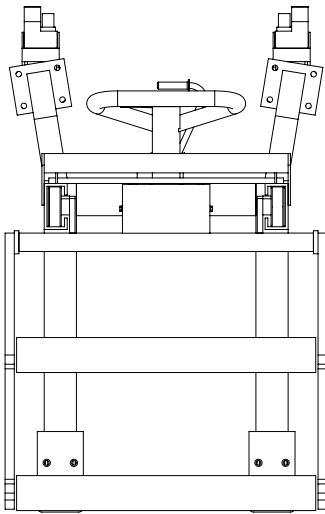


ON-A-ROLL LIFTER® SPINNER SPECIFICATIONS 61592

Use the drawings below to ensure the On-a-Roll Lifter Spinner is right for your shop.

- THINGS TO CONSIDER:
- Maximum lift height required
 - Maximum and minimum roll diameter
 - Will any obstructions prohibit moving the lifter close to the receiving machine?

Still have questions? Call 800.523.4855



toll free (USA and Canada only) 800.523.4855 or 267.413.6220 • fax 267.413.6227

204B Progress Drive, Montgomeryville, PA 18936 USA • information@go-foster.com • www.go-foster.com