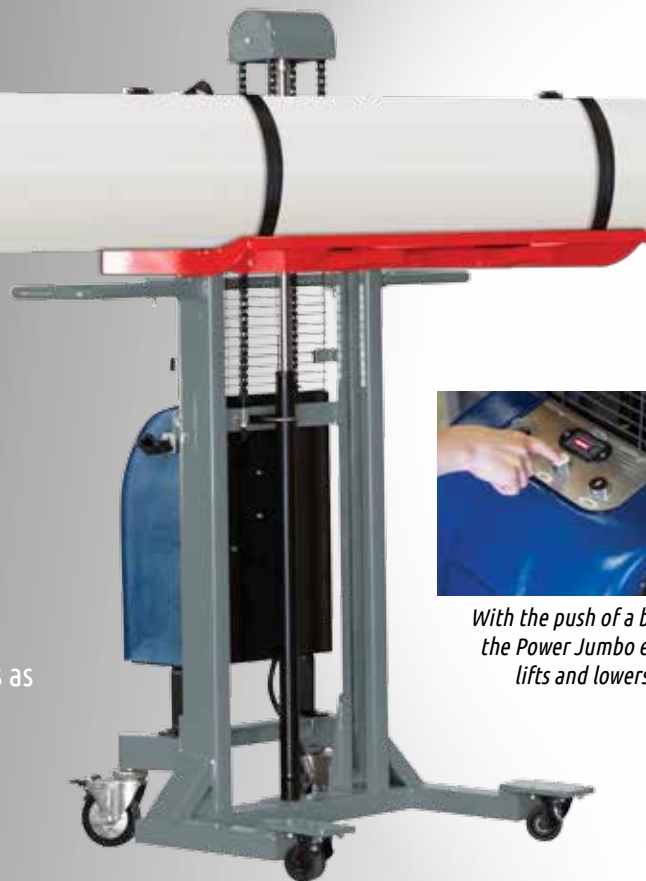


Foster

ON-A-ROLL LIFTER® POWER JUMBO

With a powerful 12-volt DC motor, the On-a-Roll Lifter® Power Jumbo allows one operator to easily lift and lower rolls as heavy as 990 lbs (450 kg), as wide as 16 feet 5 inches (500 cm), and with diameters as great as 19.6 inches. This motorized lifter securely positions large and heavy rolls while providing a safe, effortless, and efficient solution for handling.



*With the push of a button
the Power Jumbo easily
lifts and lowers.*

IMPORTANT FEATURES

- Powerful DC motor easily lifts and lowers rolls, eliminating manual labor
- Power lift reduces roll changeover time
- Pair of heavy-duty swivel casters with easy step-on locking brake
- Reduces on-the-job injuries and enables all workers to move heavy rolls
- User-friendly operation avoids costly and dangerous handling mistakes that damage media
- Rugged construction ensures long lifter life
- Single-person operation saves labor and time

MODEL 61595

Roll Weight Capacity.....	450 kg (990 lbs)
Max. Lift Height.....	150 cm (58.95")
Max. Roll Width.....	500 cm (16' 5")
Max. Roll Diameter.....	50 cm (19.6")
Width x Depth.....	120 cm x 77.48 cm (47.24" x 30.51")
Height.....	155.5 cm (61.22")
Weight.....	170 kg (375 lbs)
Bottom Fork Clearance.....	11 cm (4.33")
Electric.....	12V/60AH DC motor
Battery.....	Maintenance free lead acid battery
Charger.....	Built-In 110V AC charger
Front Swivel Castors.....	.3" ø x 1.81"W
Rear Swivel Castors.....	.5" ø x 1.46"W

2-year warranty on all wheels, hydraulics and media tray.

toll free (USA and Canada only) 800.523.4855 or 267.413.6220 • fax 267.413.6227

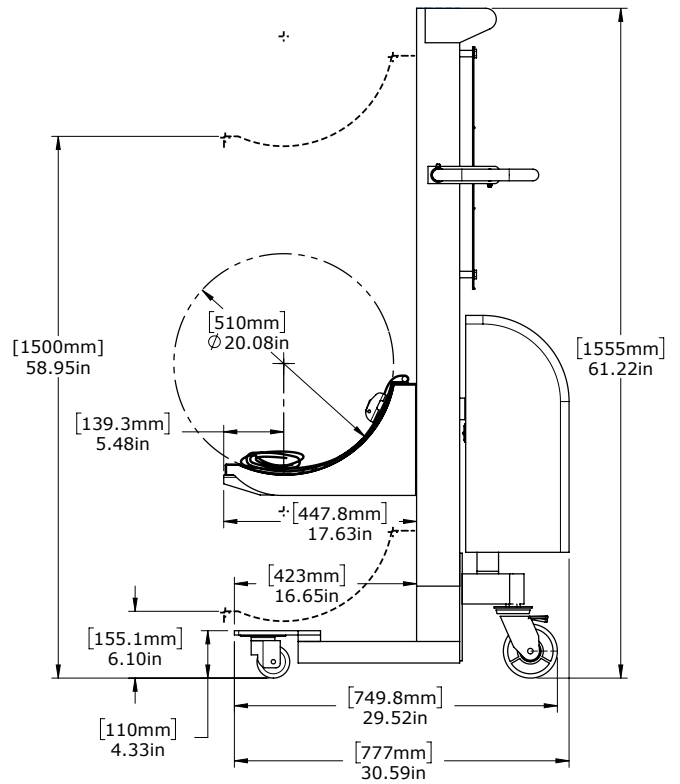
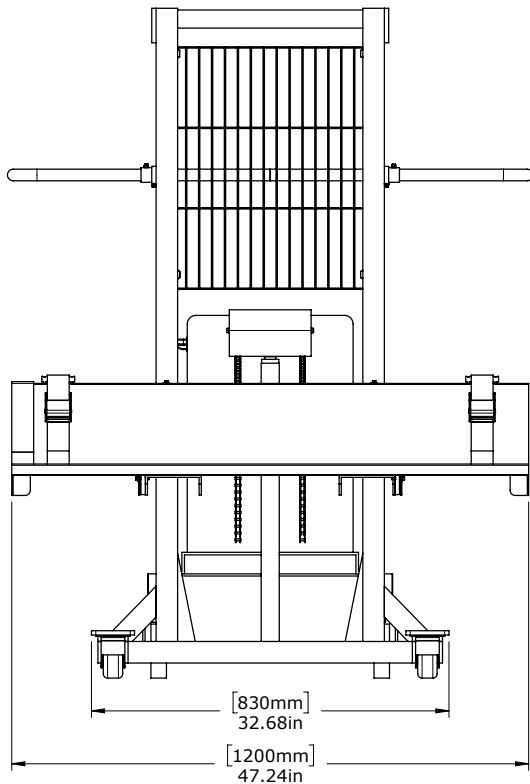
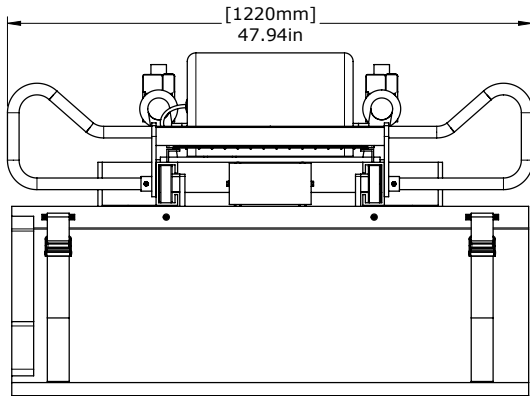
204B Progress Drive, Montgomeryville, PA 18936 USA • information@go-foster.com • www.go-foster.com



ON-A-ROLL LIFTER® POWER JUMBO SPECIFICATIONS 61595

Use the drawings below and the specifications overleaf to ensure the On-a-Roll Lifter® Power Jumbo is right for your shop.

- THINGS TO CONSIDER:
- Maximum lift height required
 - Maximum and minimum roll diameter
 - Will any obstructions prohibit moving the lifter close to the receiving machine?
- Still have questions? Call 800.523.4855



toll free (USA and Canada only) 800.523.4855 or 267.413.6220 • fax 267.413.6227

204B Progress Drive, Montgomeryville, PA 18936 USA • information@go-foster.com • www.go-foster.com