

## ON-A-ROLL LIFTER® LOW PROFILE

Designed specifically for sign makers and others businesses with the need to handle wide or heavy media rolls, particularly those with lower profile grand- and wide-format printers. It enables users to quickly and effortlessly lift media as heavy as 660 lbs (300 kg) and as wide as 16 feet 5 inches (500 cm), with diameters as great as 15.75 inches (40 cm). With a 3.25 inch (8.25 cm) clearance of the bottom fork, it's a perfect complement to HP Latex 1500 and HP 3000 Series printers.



### IMPORTANT FEATURES

- Easy-to-use operation reduces on-the-job injuries
- User-friendly operation avoids costly and dangerous handling mistakes that damage media
- Single-person operation saves labor and time
- Designed to operate even in shops with limited floor space
- Rugged construction ensures long lifter life
- Newly updated ergonomic pull bar and stronger media tray

### SPECIFICATIONS 61574

Roll Weight Capacity.....	300 kg (660 lbs)
Max. Lift Height.....	84 cm (33")
Max. Roll Width.....	500 cm (16'5")
Max. Roll Diameter.....	40 cm (15.75")
Width x Depth.....	111.6 cm x 85.5 cm (44" x 33.6")
Height.....	119.4 cm (47")
Weight.....	85 kg (188 lb)
Bottom Fork Clearance.....	8.25 cm (3.25")
Front Swivel Castors.....	2" ø x 1.46" W
Rear Swivel Castors.....	5" ø x 1.46" W

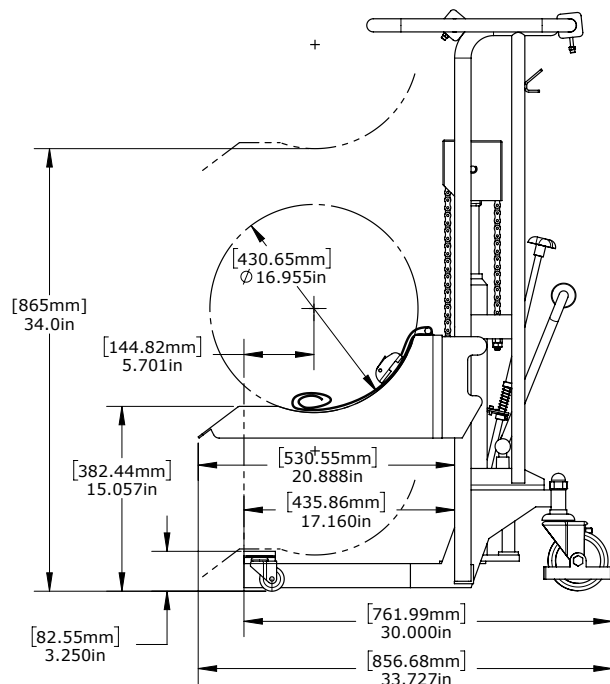
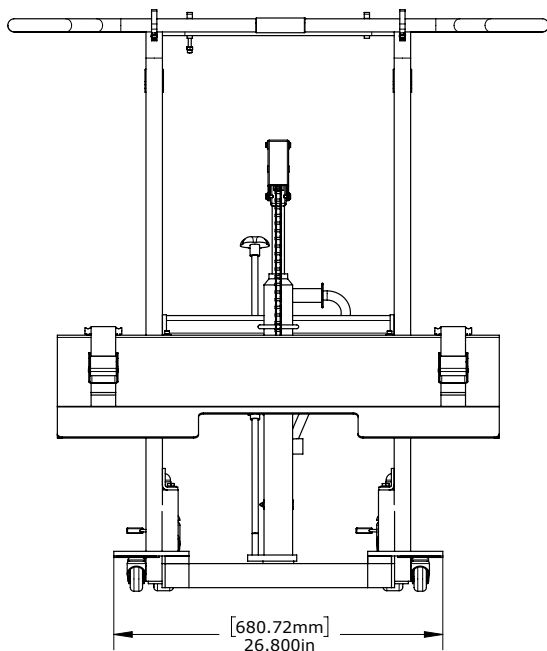
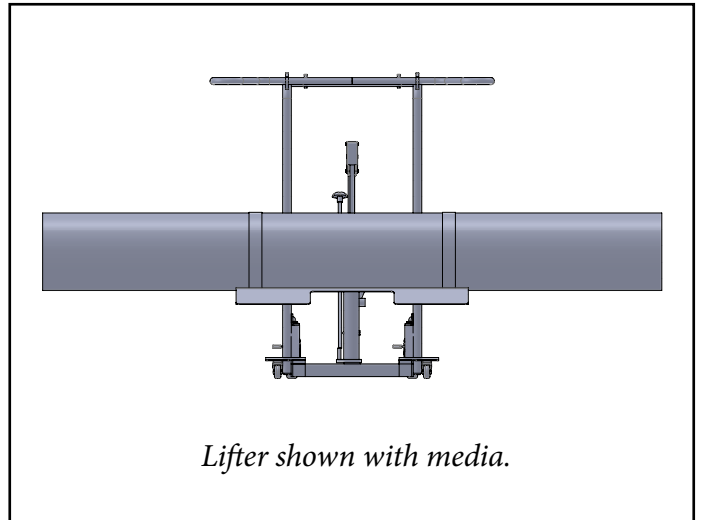
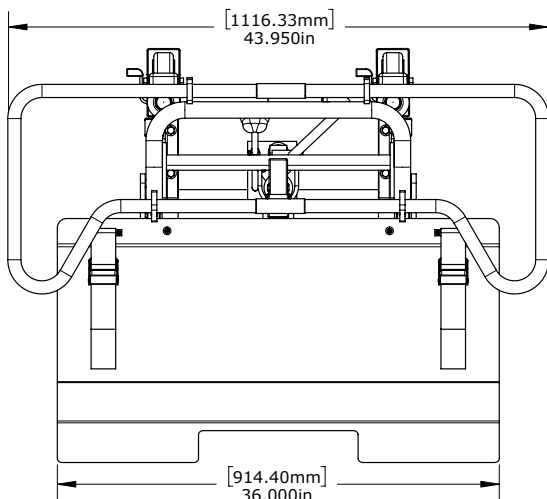
2-year warranty on all wheels, hydraulics and media tray.  
5-year warranty on cross bars.



## ON-A-ROLL LIFTER® LOW PROFILE SPECIFICATIONS 61574

Is this On-a-Roll Lifter® the right fit for your printer?

Please use the dimensions below to help you determine if the On-a-Roll Lifter® Low Profile is the right fit for your printer. Still have questions? Call 800.523.4855.



toll free (USA and Canada only) 800.523.4855 or 267.413.6220 • fax 267.413.6227

204B Progress Drive, Montgomeryville, PA 18936 USA • information@go-foster.com • www.go-foster.com