

Foster

ON-A-ROLL LIFTER® GRANDE MAX

Need a workhorse lifter that can manage large or heavy rolls? The Foster On-a-Roll Lifter® Grande Max is just the ticket. Designed specifically for roll converters, package printers, and other businesses needing to handle very heavy media, this beefy lifter lets one operator move rolls as heavy as 2,200 lbs (1,000 kg). The specially designed tray accommodates rolls for easy loading and unloading, as well as transporting.



IMPORTANT FEATURES

- Specially designed tray for easy loading and unloading rolls
- Pair of heavy-duty swivel casters with easy step-on locking brake
- Reduces on-the-job injuries and enables all workers to move heavy rolls
- User-friendly operation avoids costly and dangerous handling mistakes that damage media
- Rugged construction ensures long lifter life
- Single-person operation saves labor and time

MODEL 61594

Roll Weight Capacity.....	1000 kg (2200 lbs)
Min. Tray Height	19.6 cm (7.72")
Lift Height	86.5 cm (34")
Front Swivel Castors.....	4" ø x 2"W
Rear Swivel Castors	6" ø x 2"W
Max. Roll Width	5 m (16'5")
Max. Roll Diameter	90 cm (35.4")
Width x Depth.....	83 cm x 126 cm (47.24" x 49.59")
Height.....	112 cm (44.1")
Bottom Fork Clearance	15.9 cm (6.3")
Weight.....	222 kg (489 lbs)

2-year warranty on all wheels, hydraulics and media tray.
5-year warranty on cross bars.

toll free (USA and Canada only) 800.523.4855 or 267.413.6220 • fax 267.413.6227

204B Progress Drive, Montgomeryville, PA 18936 USA • information@go-foster.com • www.go-foster.com

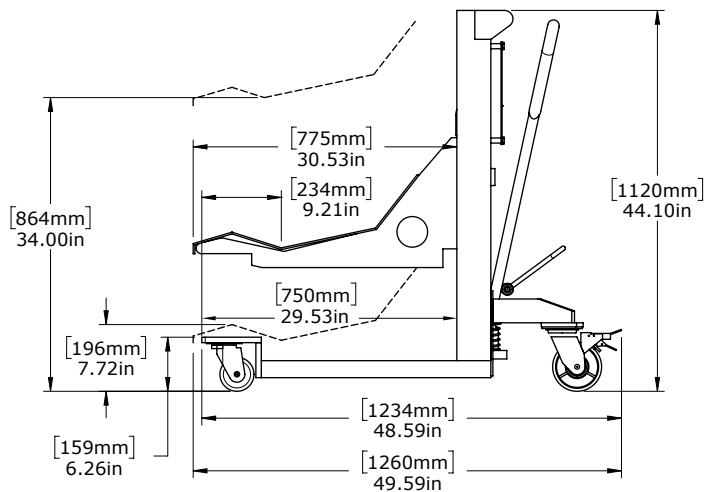
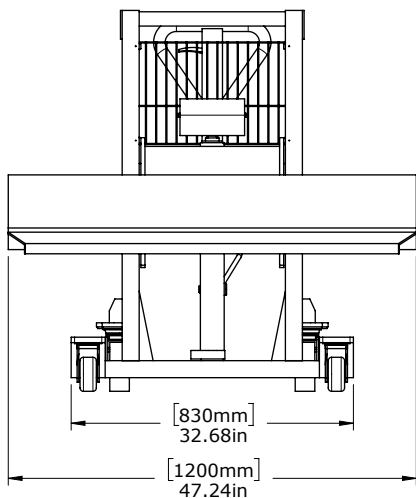
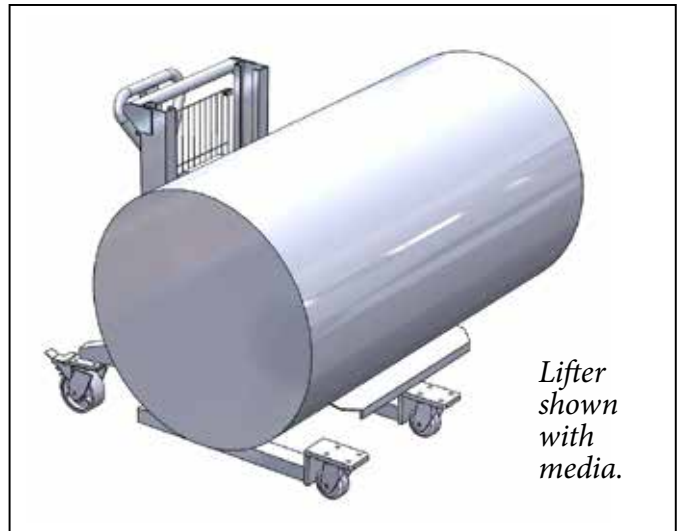
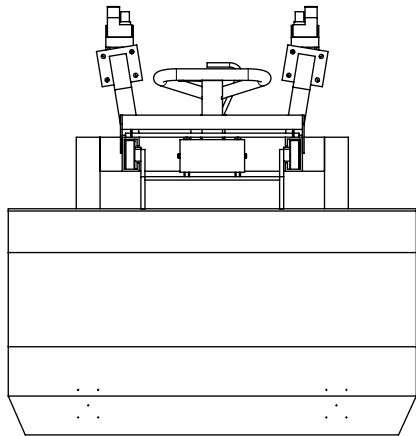


ON-A-ROLL LIFTER® GRANDE MAX SPECIFICATIONS 61594

Use the drawings below and the specifications overleaf to ensure the On-a-Roll Lifter Grande is right for your shop.

- THINGS TO CONSIDER:
- Maximum lift height required
 - Maximum and minimum roll diameter
 - Will any obstructions prohibit moving the lifter close to the receiving machine?

Still have questions? Call 800.523.4855



toll free (USA and Canada only) 800.523.4855 or 267.413.6220 • fax 267.413.6227

204B Progress Drive, Montgomeryville, PA 18936 USA • information@go-foster.com • www.go-foster.com