

ON-A-ROLL LIFTER® LOW PROFILE

NEW!

Designed specifically for sign makers and others businesses with the need to handle wide or heavy media rolls, particularly those with lower profile grand- and wide-format printers. It enables users to quickly and effortlessly lift media as heavy as 660 lbs (300 kg) and as wide as 16.4 feet (500 cm), with diameters as great as 15.75 inches (40 cm). With a 3.25 inch (8.25 cm) clearance of the bottom fork, it's a perfect complement to HP Latex 3000, 3100, and 3500 printers.



IMPORTANT FEATURES

- Easy-to-use operation reduces on-the-job injuries
- User-friendly operation avoids costly and dangerous handling mistakes that damage media
- Single-person operation saves labor and time
- Designed to operate even in shops with limited floor space
- Rugged construction ensures long lifter life
- Newly updated ergonomic pull bar and stronger media tray

SPECIFICATIONS 61574

Roll Weight Capacity.....	300 kg (660 lbs)
Max. Lift Height.....	84 cm (33")
Max. Roll Width	500 cm (16'5")
Max. Roll Diameter	40 cm (15.75")
Width x Depth.....	111.6 cm x 85.5 cm (44" x 33.6")
Height.....	119.4 cm (47")
Weight.....	85 kg (188 lb)
Bottom Fork Clearance	8.25 cm (3.25")

2-year warranty on all wheels, hydraulics and media tray.
5-year warranty on cross bars.

toll free (USA and Canada only) 800.523.4855 or 267.413.6220 • fax 267.413.6227

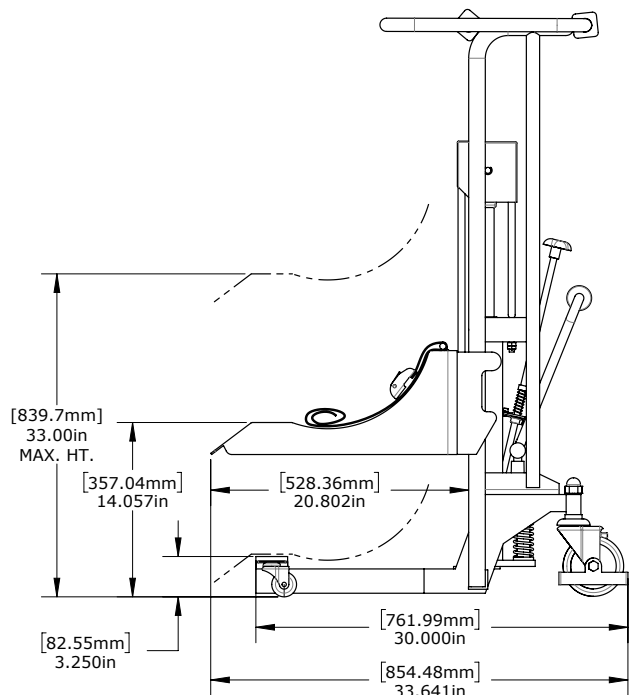
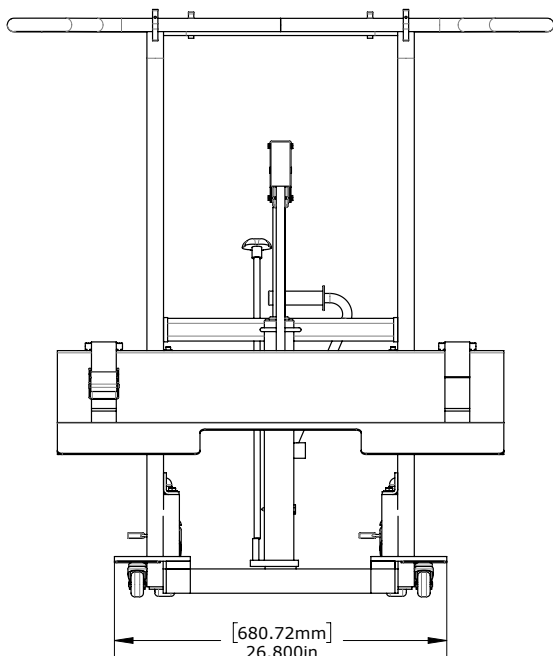
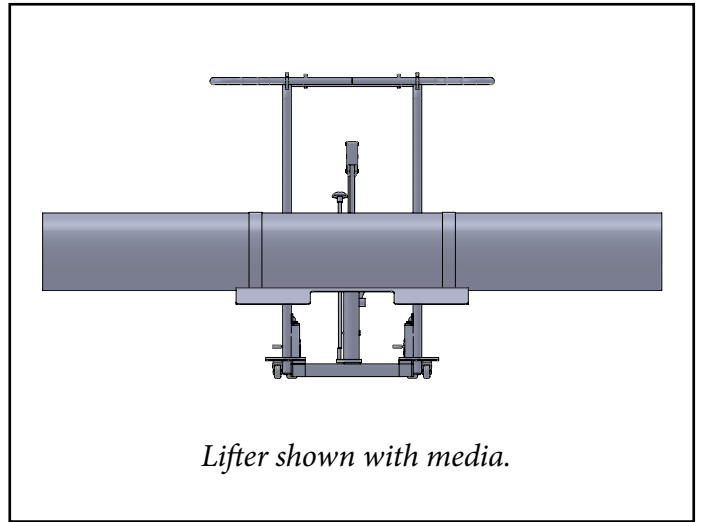
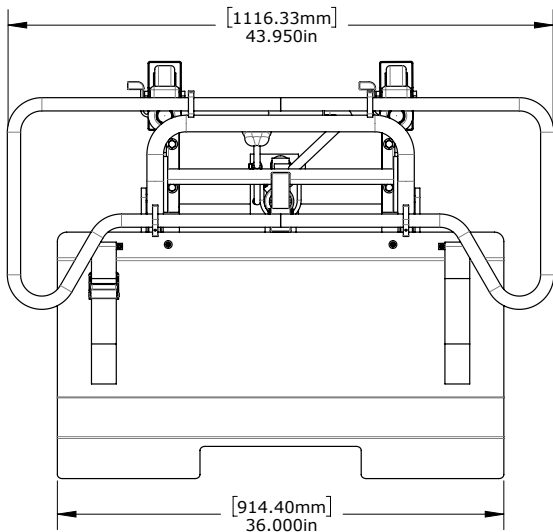
204B Progress Drive, Montgomeryville, PA 18936 USA • information@go-foster.com • www.go-foster.com



ON-A-ROLL LIFTER® LOW PROFILE SPECIFICATIONS 61574

Is this On-a-Roll Lifter® the right fit for your printer?

Please use the dimensions below to help you determine if the On-a-Roll Lifter® Low Profile is the right fit for your printer. Still have questions? Call 800.523.4855.



toll free (USA and Canada only) 800.523.4855 or 267.413.6220 • fax 267.413.6227

204B Progress Drive, Montgomeryville, PA 18936 USA • information@go-foster.com • www.go-foster.com