

Foster

ON-A-ROLL LIFTER® JUMBO

One operator can easily lift rolls as heavy as 990 lbs (450 kg), as wide as 16 feet 4 inches, and with diameters as great as 19.6 inches. Designed in collaboration with EFI, Foster On-a-Roll Lifter® Jumbo is perfect for businesses operating grand- or extra-wide printers, fabric printers, or those handling floor coverings and similar materials.



IMPORTANT FEATURES

- Pair of heavy-duty swivel casters with easy step-on locking brake
- Reduces on-the-job injuries and enables all workers to move heavy rolls
- User-friendly operation avoids costly and dangerous handling mistakes that damage media
- Rugged construction ensures long lifter life
- Single-person operation saves labor and time

MODEL 61577

Roll Weight Capacity	450 kg (990 lbs)
Max. Lift Height	150 cm (58.95")
Max. Roll Width	500 cm (16'5")
Max. Roll Diameter	50 cm (19.6")
Width x Depth	120 cm x 77.48 cm (47.24" x 30.51")
Height	155.5 cm (61.22")
Weight	134 kg (295 lbs)
Bottom Fork Clearance	11 cm (4.33")

2-year warranty on all wheels, hydraulics and media tray.
5-year warranty on cross bars.

toll free (USA and Canada only) 800.523.4855 or 267.413.6220 • fax 267.413.6227

204B Progress Drive, Montgomeryville, PA 18936 USA • information@go-foster.com • www.go-foster.com



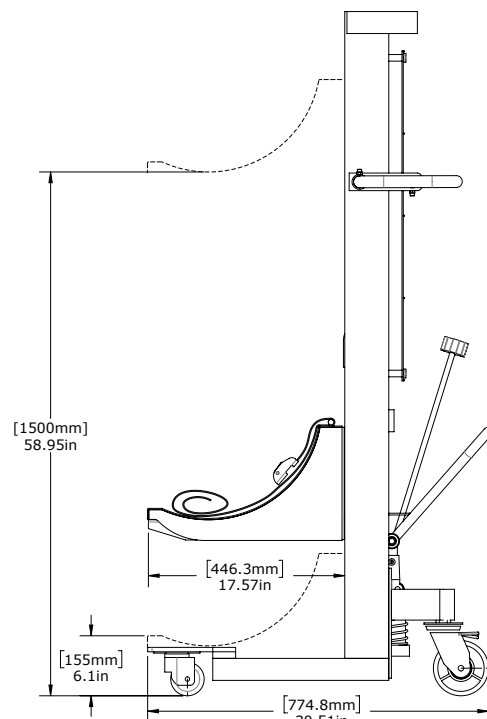
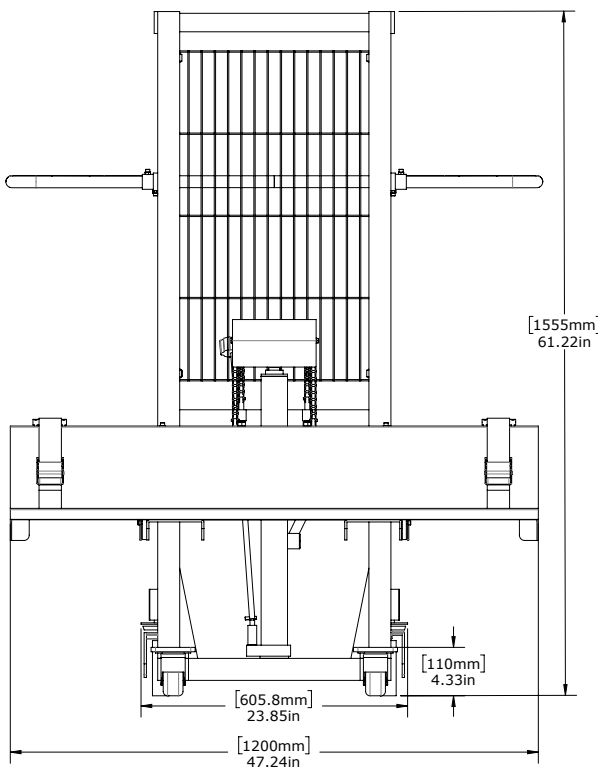
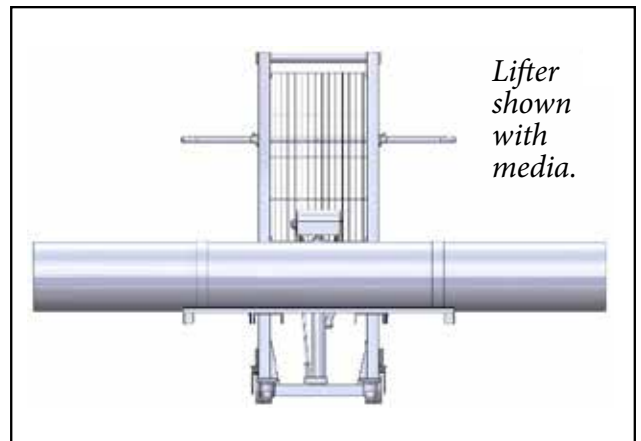
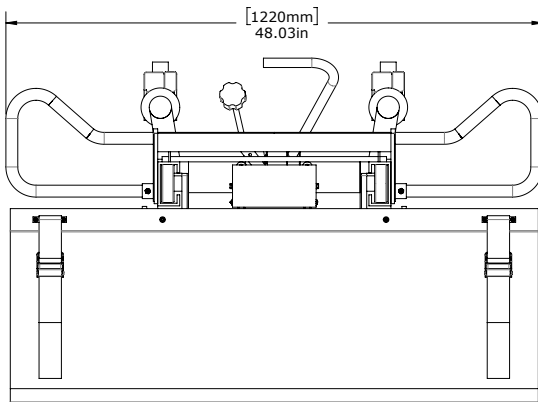
ON-A-ROLL LIFTER® JUMBO SPECIFICATIONS 61577

Use the drawings below and the specifications overleaf to ensure the On-a-Roll Lifter Jumbo is right for your shop.

THINGS TO CONSIDER: • Maximum lift height required • Maximum and minimum roll diameter

- Will any obstructions prohibit moving the lifter close to the receiving machine?

Still have questions? Call 800.523.4855



toll free (USA and Canada only) 800.523.4855 or 267.413.6220 • fax 267.413.6227

204B Progress Drive, Montgomeryville, PA 18936 USA • information@go-foster.com • www.go-foster.com