

# Foster

## ON-A-ROLL LIFTER® COMPACT

Designed specifically for sign makers and other businesses with the need to handle heavy media rolls. It enables users to quickly and effortlessly lift media as heavy as 200 lbs (90 kg) and as wide as 71 inches (1800 mm), with diameters as great as 12 inches (30.5 cm). The compact design allows user to maneuver around tight corners and through narrow passages.

NEW  
COMPACT  
DESIGN!



### IMPORTANT FEATURES

- Easy-to-use operation reduces on-the-job injuries
- User-friendly operation avoids costly and dangerous handling mistakes that damage media
- Single-person operation saves labor and time
- Designed to operate even in shops with limited floor space
- Rugged construction ensures long lifter life

### MODEL 61579

Roll Weight Capacity.....	90 kg (200 lbs)
Lift Height .....	85 cm (33.5")
Max. Roll Width .....	180 cm (71")
Max. Roll Diameter .....	30.5 cm (12")
Width x Depth.....	57.4 cm x 79.6 cm (22.6" x 31.34")
Height.....	107.9 cm (42.48")
Weight.....	80 kg (177 lbs)
Bottom Fork Clearance .....	11.7 cm (4.63")

2-year warranty on all wheels, hydraulics and media tray.  
5-year warranty on cross bars.

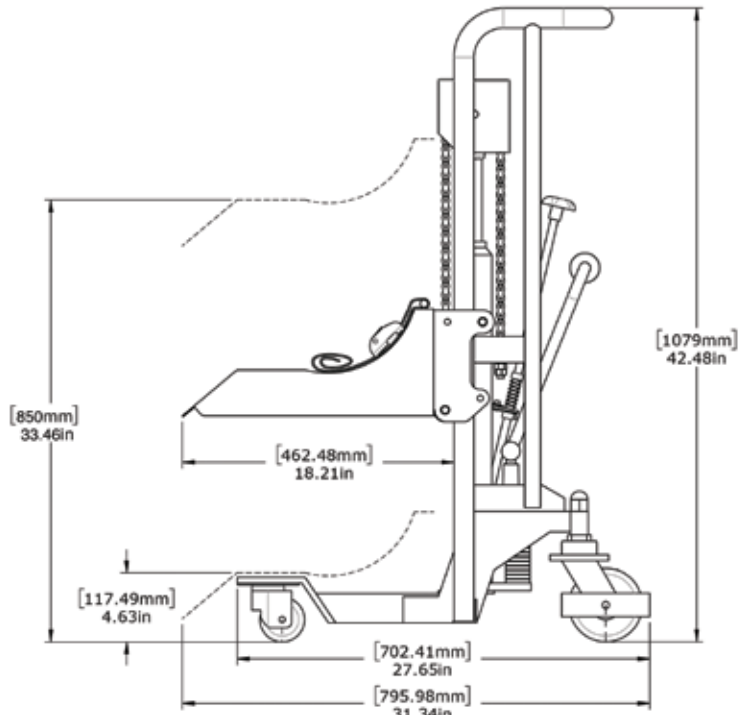
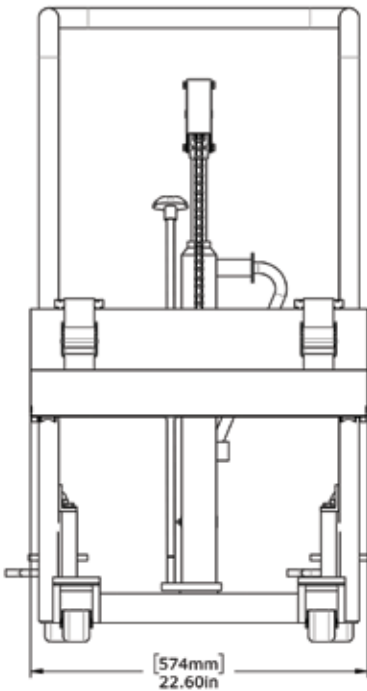
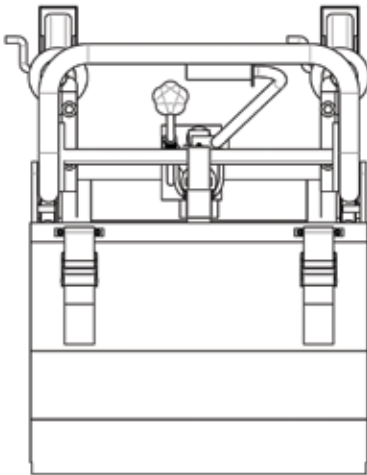
toll free (USA and Canada only) 800.523.4855 or 267.413.6220 • fax 267.413.6227

204B Progress Drive, Montgomeryville, PA 18936 USA • information@go-foster.com • www.go-foster.com



## ON-A-ROLL LIFTER<sup>®</sup> COMPACT MODEL 61579

Tight corners? Narrow spaces?  
This lifter goes where others cannot.



toll free (USA and Canada only) 800.523.4855 or 267.413.6220 • fax 267.413.6227

204B Progress Drive, Montgomeryville, PA 18936 USA • [information@go-foster.com](mailto:information@go-foster.com) • [www.go-foster.com](http://www.go-foster.com)