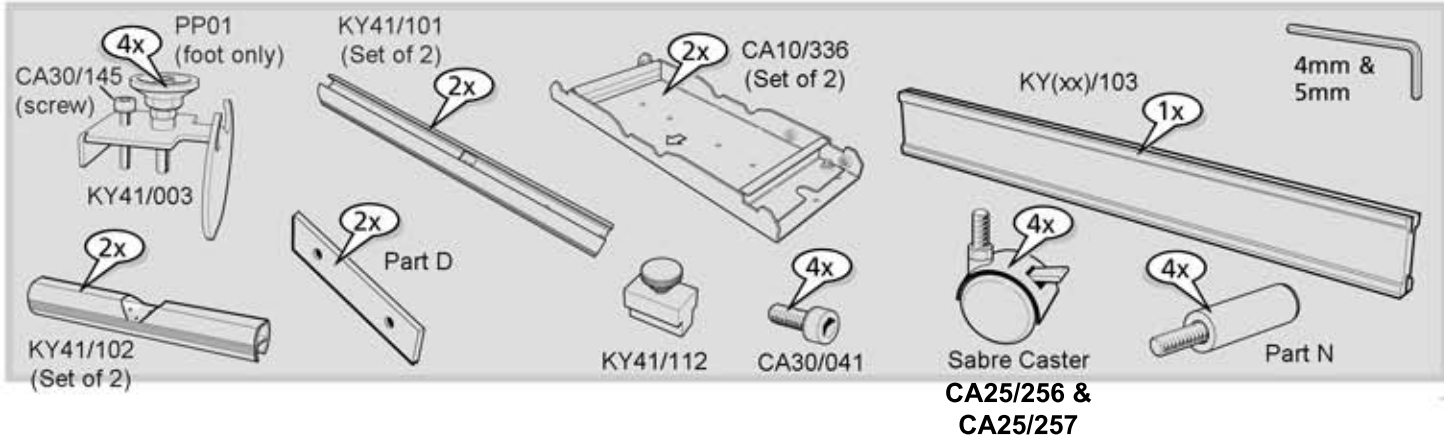
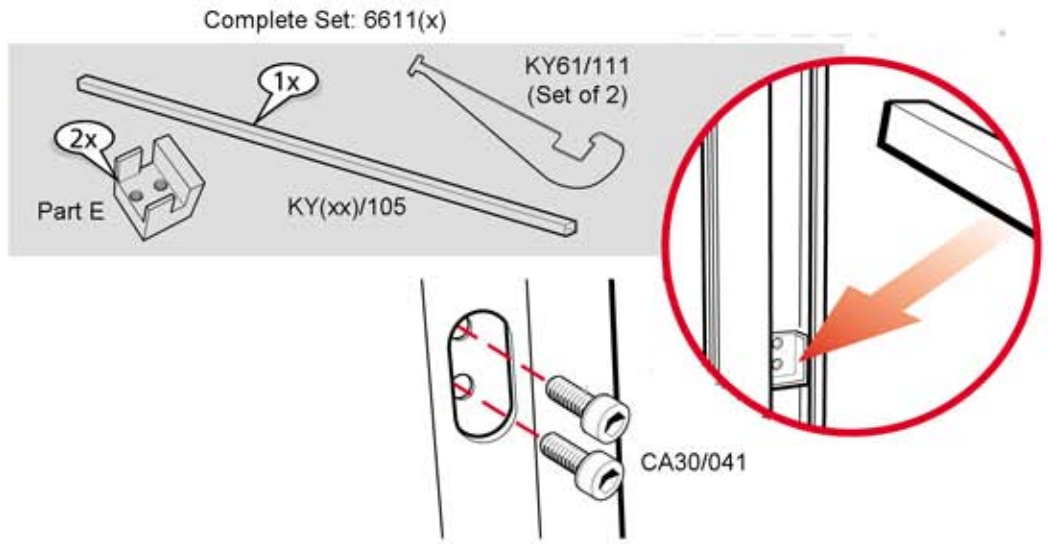


CUTTER STAND with Optional ROLL FEED & WASTE CATCHER



OPTIONAL Roll Feed



OPTIONAL Waste Catcher



Waste Catcher			
30"	62678	60"	62683
36"	62679	72"	62684
42"	62680	80"	62688
48"	62681	100"	62685
54"	62682	120"	62686

Notes:
Parts marked with a (xx) are size dependent. Replace (xx) with the specific cutter size.

Parts are sold individually unless specified as a set.