

Big BENCH – SPARE PART LISTINGS

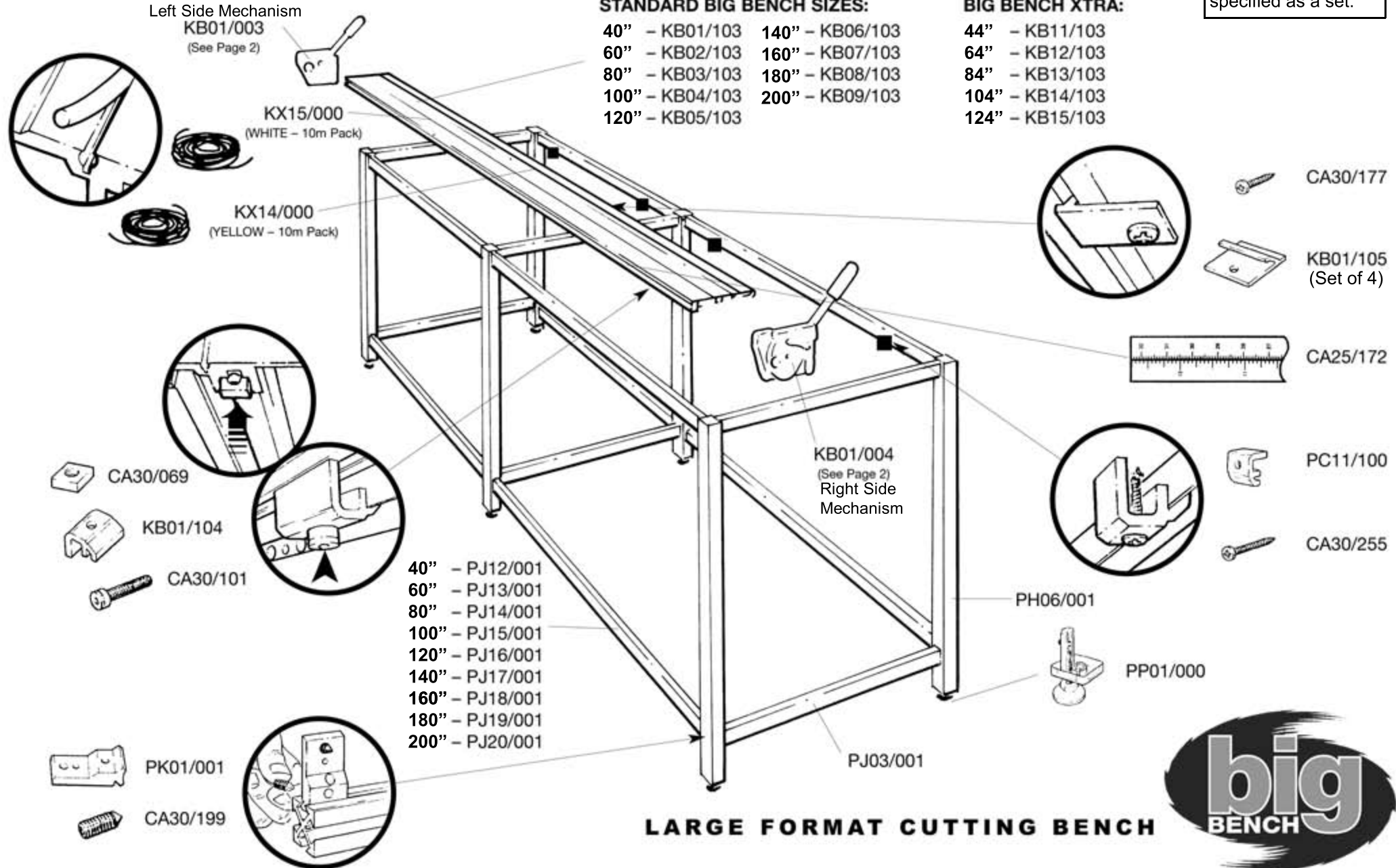
Notes: Parts are sold individually unless specified as a set.

STANDARD BIG BENCH SIZES:

- 40" – KB01/103
- 60" – KB02/103
- 80" – KB03/103
- 100" – KB04/103
- 120" – KB05/103
- 140" – KB06/103
- 160" – KB07/103
- 180" – KB08/103
- 200" – KB09/103

BIG BENCH XTRA:

- 44" – KB11/103
- 64" – KB12/103
- 84" – KB13/103
- 104" – KB14/103
- 124" – KB15/103



- 40" – PJ12/001
- 60" – PJ13/001
- 80" – PJ14/001
- 100" – PJ15/001
- 120" – PJ16/001
- 140" – PJ17/001
- 160" – PJ18/001
- 180" – PJ19/001
- 200" – PJ20/001

LARGE FORMAT CUTTING BENCH

