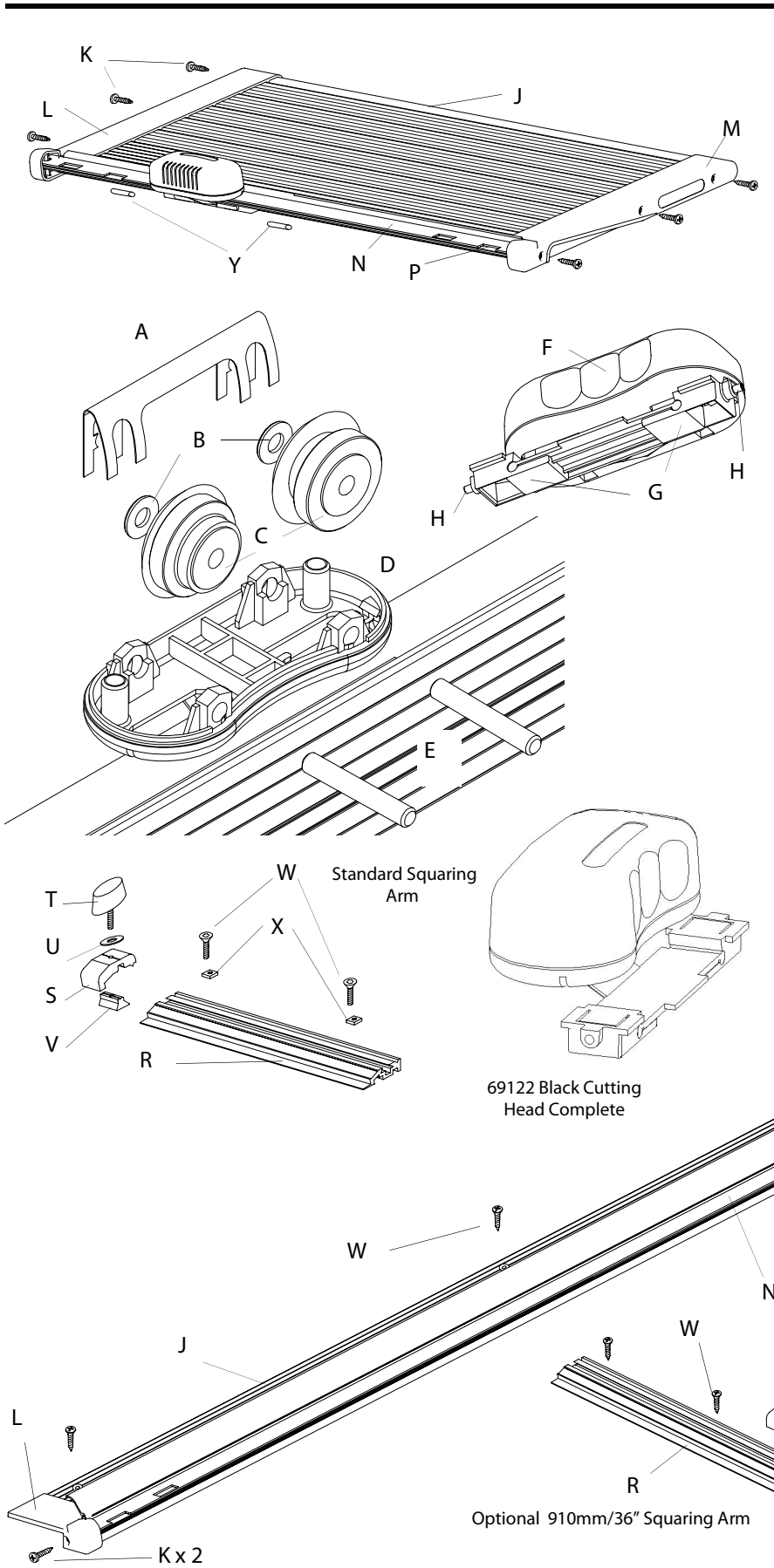


Advanced Rotary Cutter Spare Parts

Notes: Parts are sold individually unless specified as a set.



Key	Advanced Rotary Cutter		Table Edge Advanced Rotary Cutter	
	Qty.	Code	Qty.	Code
A	1	CA25/195	1	CA25/195
B	2	CA30/083	2	CA30/083
C	1 Set	69124	1 Set	69124
D	1	CA10/273	1	CA10/273
E	2	KT01/103	2	KT01/103
F	1	CA75/119	1	CA75/119
G	2	CA75/120	2	CA75/120
H	2	CA30/273	2	CA30/273
J	1	KT */100	1	KT */113
K	6	CA30/249	2	CA30/249
L	1	CA75/116	1	KT51/111
M	1	CA75/117	1	KT51/112
N	1	KT */101	1	KT */101
P	1	KT */102	1	KT */102
R	1	KT05/107	1	KX94/100
S	1	KT05/108	1	KT05/108
T	1	CA30/007	1	CA30/007
U	1	CA30/033	1	CA30/033
V	1	KL01/066	1	KL01/066
W	2	CA30/117	*	CA30/242
X	2	CA30/275	-	-
Y	2	KT01/106	2	KT01/106
Rubber Feet	*	CA75/122	-	-
Scales Sticker	1	CA25/198	-	-
Sq. Arm Scale Stickers	1	CA25/211	1	CA25/211

* State size of machine when ordering parts

69122 Black Cutting Head Complete

Optional 910mm/36" Squaring Arm

Foster

Toll Free: 800 523 4855
 Tel: (267) 413 6220
 Fax: (267) 413 6227
 information@go-foster.com
 204 B Progress Drive
 Montgomeryville, PA 18936
 www.go-foster.com